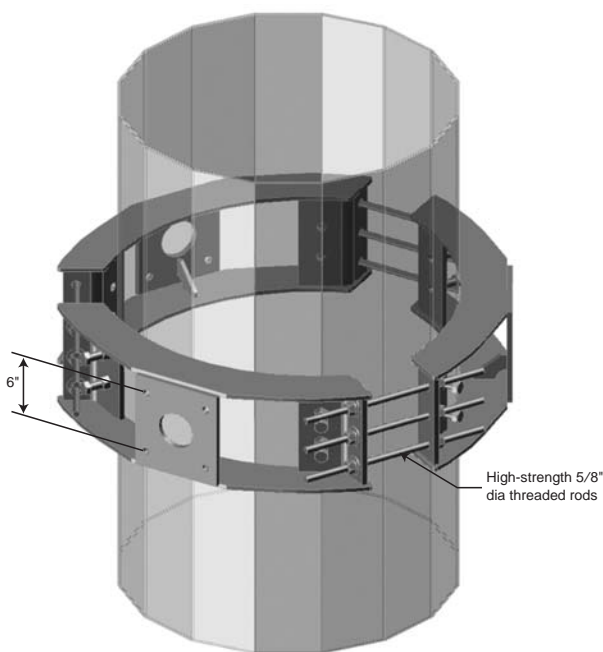


UNIVERSAL TRI-BRACKET

Universal Tri-Bracket fits round poles and polygonal poles with 12 or more sides. The innovative design provides at least 18 points of contact with the pole to prevent rotation and can be installed at any azimuth on the pole for precise antenna alignment.

Provides 3 mounting arm locations 120 degrees apart.
Galvanized.



ROTATABLE HUB & SUPPORT COLLAR

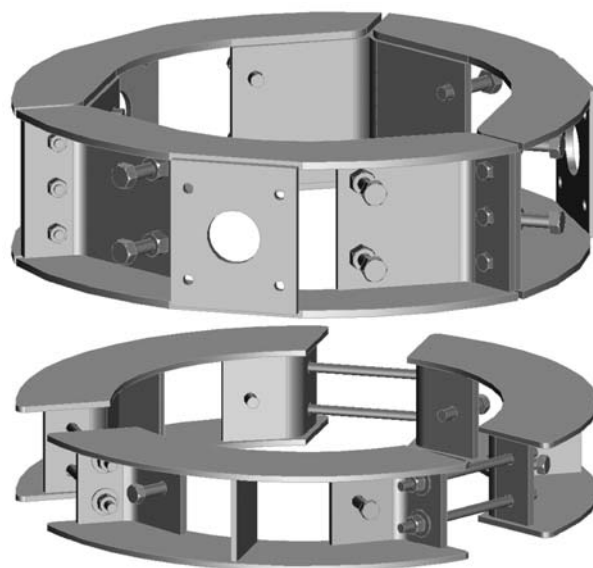
FOR POLYGON POLE STRUCTURES

Rotatable Hubs and Support Collars fit round or polygon poles, with 12 or more sides, with diameters from 9" to 4'-6". A Hub matching the pole diameter is required for mounting the various wireless-antenna support products in this section and the Wireless Platforms for monopoles (page 12.2).

The Rotatable Hub rests on a Monopole Collar and may be rotated 360° to the desired azimuth. If the monopole does not have a welded on ring plate then a Support Collar is required.

When a Hub is added for co-location on a monopole, and access does not already exist for the internal routing of coax lines, the addition of a new Hand-Hole Rim (page 10.12) is required. Coax lines may be run on the outside of a polygon pole using the Strap-On Brackets (page 1.5) and Banding (page 1.5).

Galvanized.



Product Number	Description	List Price
B2592	Fits 10" to 2'-1" Pole Diameter	\$690.00
B2593	Fits 1'-10" to 3'-2" Pole Diameter	\$750.00
B2594	Fits 3' to 4'-2" Pole Diameter	\$1,090.00
B2606	Fits 4' to 5' Pole Diameter	\$1,190.00

Fits Pole Diameter Min.	Fits Pole Diameter Max.	Rotatable Hub	List Price	Support Collar	List Price
9"	1'-2"	B2187	\$680.00	B2188	\$505.00
1'-0"	1'-6"	B2687	\$730.00	B2679	\$580.00
1'-6"	2'-0"	B2686	\$780.00	B2673	\$655.00
2'-0"	2'-6"	B2685	\$830.00	B2674	\$730.00
2'-6"	3'-0"	B2682	\$880.00	B2674	\$730.00
3'-0"	3'-6"	B2683	\$930.00	B2675	\$805.00
3'-6"	4'-0"	B2672	\$980.00	B2675	\$805.00

ANTENNA SUPPORT STRUCTURES

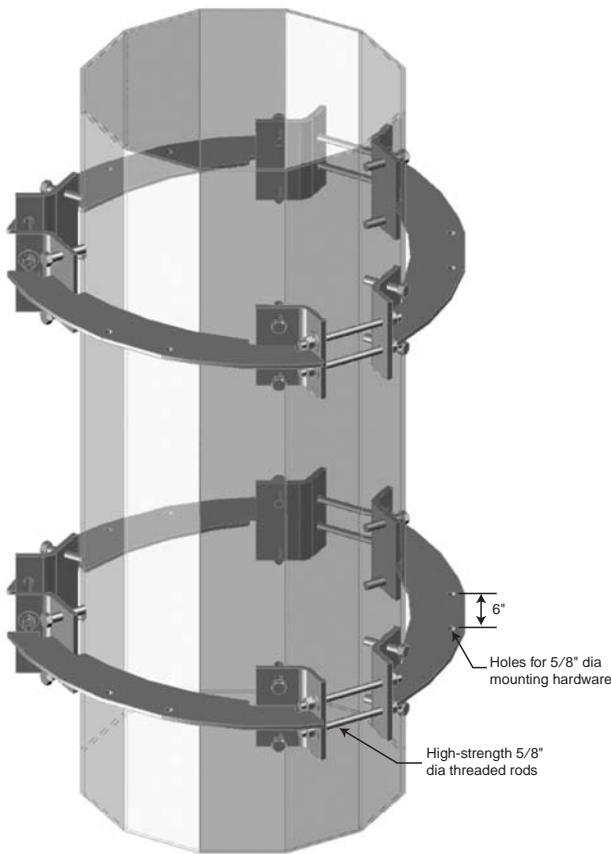
MONOPOLE MOUNTS

10.2

UNIVERSAL LIGHT-DUTY TRI-BRACKET

Universal Light-Duty Tri-Bracket fits round poles and polygonal poles with 12 or more sides. The innovative design provides at least 30 points of contact with the pole to prevent rotation and can be installed at any azimuth on the pole for precise antenna alignment.

Galvanized.



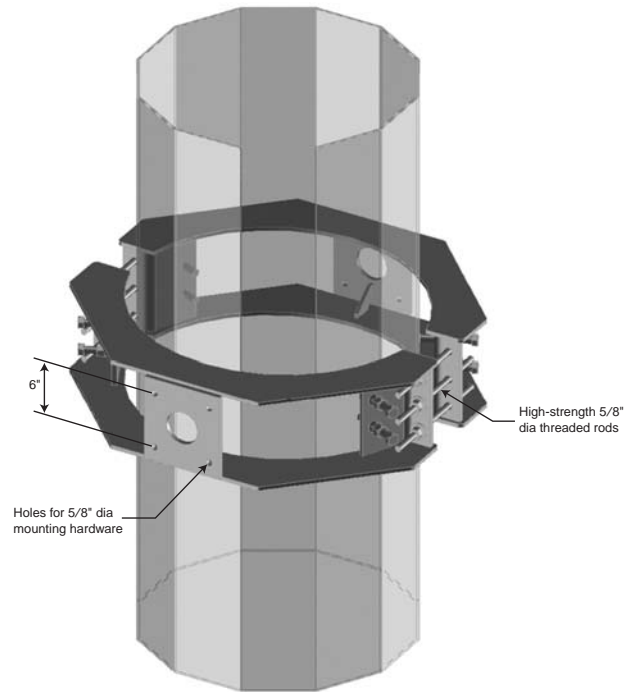
Product Number	Description	List Price
B2624	Fits 1' - 1'-6" Pole Diameter	\$725.00
B2625	Fits 1'-6" - 2' Pole Diameter	\$735.00
B2626	Fits 2' - 3' Pole Diameter	\$895.00
B2627	Fits 3' - 4' Pole Diameter	\$1,195.00
B2628	Fits 4' - 5' Pole Diameter	\$1,395.00

UNIVERSAL BI-BRACKET

Universal Bi-Bracket fits round poles and polygonal poles with 12 or more sides. The innovative design provides at least 12 points of contact with the pole to prevent rotation and can be installed at any azimuth on the pole for precise antenna alignment.

Provides 2 mounting arm locations 180 degrees apart.

Galvanized.

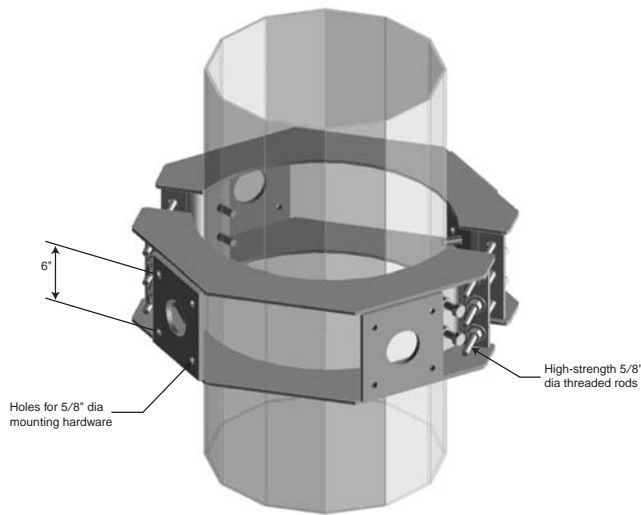


Product Number	Description	List Price
B2640	Fits 1' - 1'-6" Pole Diameter	\$540.00
B2635	Fits 1'-6" - 2' Pole Diameter	\$560.00
B2725	Fits 2' - 2'-6" Pole Diameter	\$660.00
B2726	Fits 2'-6" - 3' Pole Diameter	\$780.00
B2727	Fits 3' - 3'-6" Pole Diameter	\$895.00
B2769	Fits 3'-6" - 4' Pole Diameter	\$995.00

UNIVERSAL QUAD-BRACKET

Universal Quad-Bracket fits round poles and polygonal poles with 12 or more sides. The innovative design provides at least 24 points of contact with the pole to prevent rotation and can be installed at any azimuth for precise antenna alignment.

Provides 4 mounting arm locations 90 degrees apart.
Galvanized.



Product Number	Fits Pole Diameter	List Price
B2723	Fits 1' - 1'-6" Pole Diameter	\$560.00
B2724	Fits 1'-6" - 2' Pole Diameter	\$590.00
B2725*	Fits 2' - 2'-6" Pole Diameter	\$660.00
B2726*	Fits 2'-6" - 3' Pole Diameter	\$780.00
B2727*	Fits 3' - 3'-6" Pole Diameter	\$895.00
B2769*	Fits 3'-6" - 4' Pole Diameter	\$995.00

*Parts can be used to support a four-sided platform (B2740)

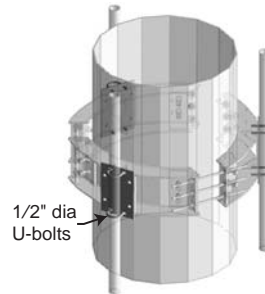
TRI-SECTOR ADAPTER KIT

FOR SINGLE ANTENNA PER SECTOR

The Tri-Sector Adapter Kit provides adapter plates for supporting a single wireless antenna per each sector, positioned adjacent to the pole. The plates bolt directly to the separately ordered Tri-Bracket (page 10.1) with included $\frac{5}{8}$ " diameter hardware.

Wireless panel antennas mount on separately ordered $2\frac{3}{8}$ " OD Antenna-Mounting Pipes (page 10.1).

Galvanized.



Product Number	Description	List Price
B1865	Tri-Sector Adapter Kit	\$69.00

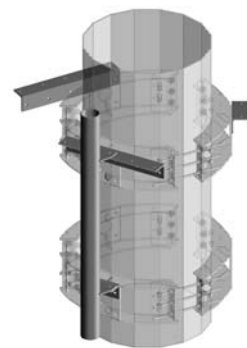
PIPE MOUNT

FOR DISH ANTENNA

The Pipe Mount provides support for a dish antenna and for the antenna's strut(s). The Mount includes a $4\frac{1}{2}$ " OD x 5' long pipe and both long and short side-strut brackets that accommodate a wide range of antenna sizes and pole diameters.

The Pipe Mount installs on two separately ordered Tri-Brackets (page 10.1) with included $\frac{5}{8}$ " diameter hardware.

Galvanized.



Product Number	Description	List Price
B1832	Pipe Mount for dish antenna	\$170.00

ANTENNA SUPPORT STRUCTURES

MONOPOLE MOUNTS

10.4

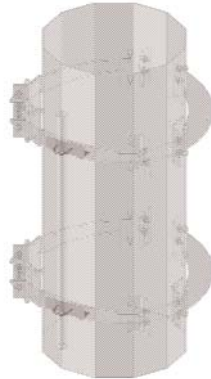
MOUNTING PIPE ADAPTER KIT

FOR LIGHT DUTY TRI-BRACKETS

Mounting Pipe Adapter Kit provides adapter angles and hardware for supporting a single wireless antenna, positioned adjacent to the pole. The angles bolt directly to the separately ordered Light Duty Tri-Bracket (page 10.2) with included $\frac{5}{8}$ " diameter hardware.

Wireless panel antennas mount on separately ordered $2\frac{3}{8}$ " OD Antenna-Mounting Pipes (page 8.1).

Galvanized.



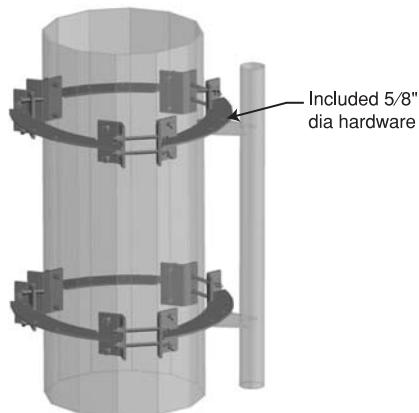
Product Number	Description	List Price
B2323	Mounting Pipe Adapter Kit	\$19.00

SIDE-STRUT MOUNTING ANGLE

FOR POLYGON & ROUND POLE STRUCTURES

Side-Strut Angle mounts to a Tri-Bracket and enables attachment of an antenna's side strut or the B1061 Antenna Side-Strut (page 8.12). $\frac{5}{8}$ " hardware is included.

Galvanized.



Product Number	Description	List Price
B2432	Side-Strut Mounting Angle	\$19.00

PIPE MOUNT

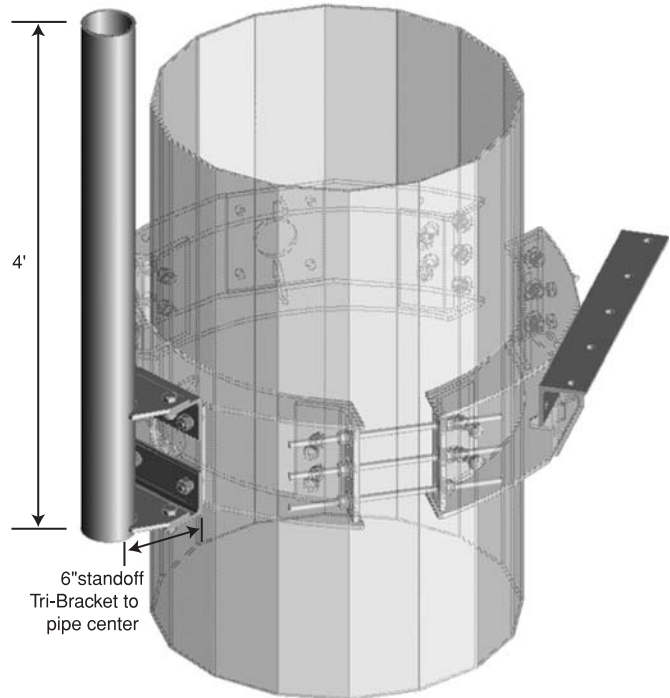
FOR POLYGON OR ROUND POLES

The B2102 Pipe Mount, for round or polygon poles with 12 or more sides, has a $4\frac{1}{2}$ " OD x 4' mounting pipe. The mounting pipe is cantilevered upward 3' for the attachment of a dish antenna up to 6' diameter.

To use the included side strut bracket the antenna may need to be installed inverted to position the antenna side strut closer to the side strut bracket.

The Mount bolts to the separately ordered Tri-Bracket (page 10.1), with included $\frac{5}{8}$ " diameter hardware.

Galvanized.



Product Number	Description	List Price
B2102	Pipe Mount	\$160.00

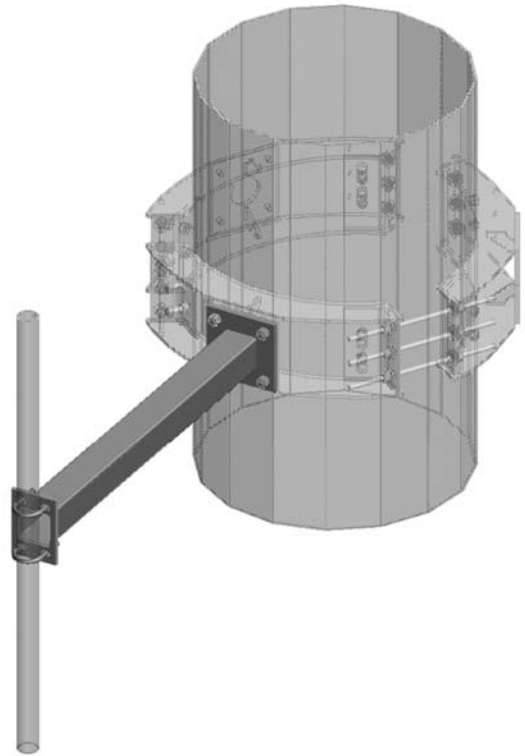
STANDOFF MOUNT

FOR SINGLE WIRELESS ANTENNA

This Standoff Mount provides support for a single wireless sector antenna from the Tri-Bracket. The Standoff Mount bolts to the separately ordered Tri-Bracket (page 10.1) with included $\frac{5}{8}$ " diameter hardware.

The wireless panel antenna mounts on a separately ordered $2\frac{3}{8}$ " OD Antenna-Mounting Pipe (page 8.1).

Galvanized.



Product Number	Description	List Price
B1826	4' Standoff Mount for single antenna	\$180.00
B2434	1'-6" Standoff Mount for single antenna	\$125.00
B2758	2' Standoff Mount for single antenna	\$130.00
B2759	3' Standoff Mount for single antenna	\$140.00

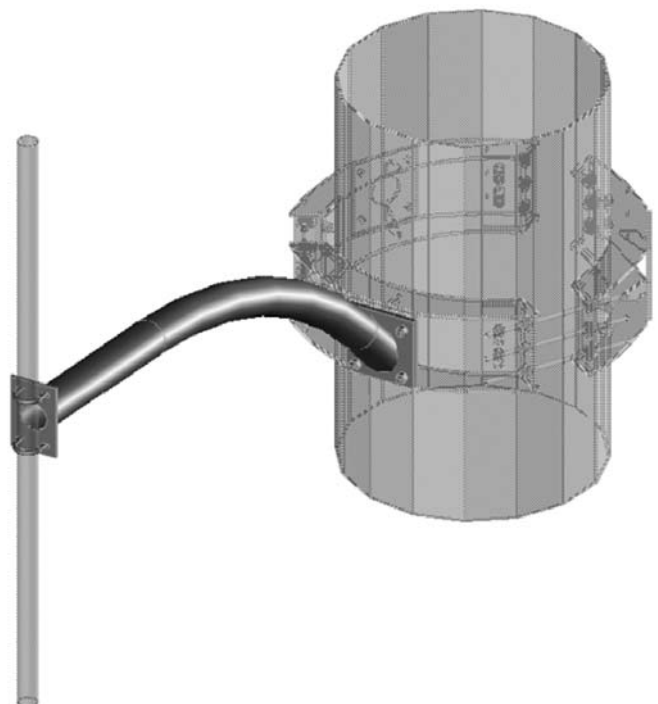
CURVED STANDOFF MOUNT

FOR SINGLE WIRELESS ANTENNA

This Standoff Mount provides support for a single wireless sector antenna that is positioned 6'-6 $\frac{3}{4}$ " from the Tri-Bracket. The Standoff Mount bolts to the separately ordered Tri-Bracket (page 10.1) with included $\frac{5}{8}$ " diameter hardware.

The wireless panel antenna mounts on a separately ordered $2\frac{3}{8}$ " OD Antenna-Mounting Pipe (page 8.1).

Galvanized.



Product Number	Description	List Price
B2077	Curved Arm Mount	\$325.00

ANTENNA SUPPORT STRUCTURES

MONOPOLE MOUNTS

10.6

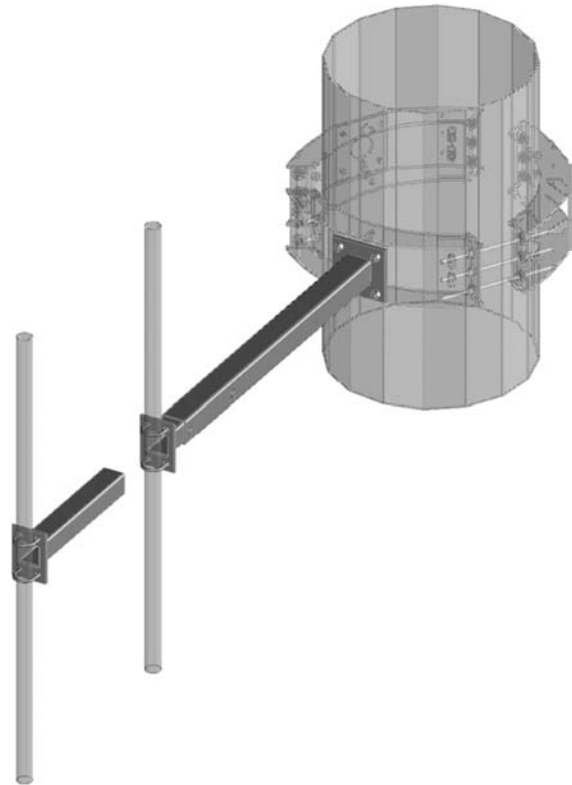
5' - 8' STANDOFF ARM

FOR POLYGONAL OR ROUND POLES

The Standoff Arm allows for the field adjustment of the Standoff Arm as required for the site. The Standoff Arm telescopes in 1' increments from 5' to 8'. When the Mount is fully extended, it will support an applied load of 400 lbs. The mount bolts to the separately ordered Tri-Bracket (page 10.1) with included $\frac{5}{8}$ " diameter hardware.

The wireless antenna installs on a separately ordered $2\frac{3}{8}$ " OD Antenna-Mounting Pipe (page 8.1) that U-bolts to the end of the Standoff Arm with included hardware.

Galvanized.



Product Number	Description	List Price
B2065	5' - 8' Standoff Arm	\$210.00

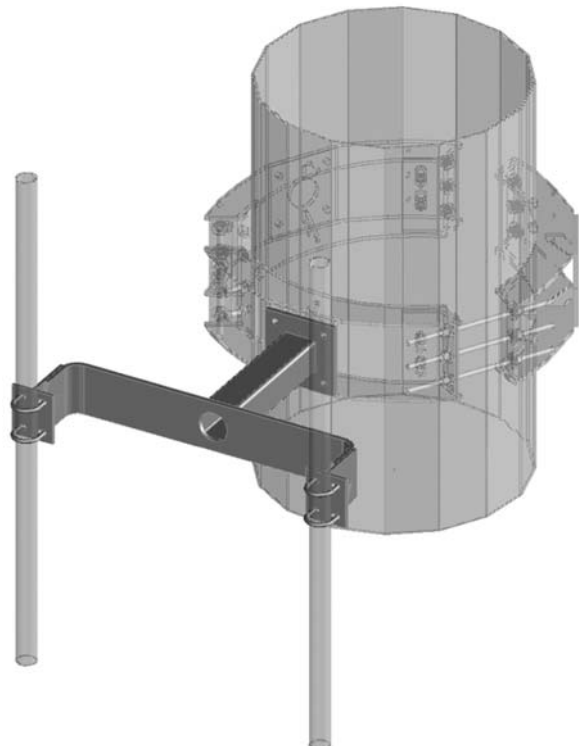
DUAL STANDOFF MOUNT

FOR TWO WIRELESS ANTENNAS

The Dual Standoff Mount provides support for two wireless antennas that face the same azimuth and are positioned 2'- $3\frac{3}{16}$ " from the Tri-Bracket. The two antennas, separated by 3', can be down-tilted from 0° to 30°. The Mount bolts to the separately ordered Tri-Bracket (page 10.1) with included $\frac{5}{8}$ " diameter hardware.

The wireless panel antennas mount on separately ordered $2\frac{3}{8}$ " OD Antenna-Mounting Pipes (page 8.1).

Galvanized.



Product Number	Description	List Price
B1827	Dual Standoff Mount for two antennas	\$225.00

STRAIGHT ARM SECTOR MOUNT

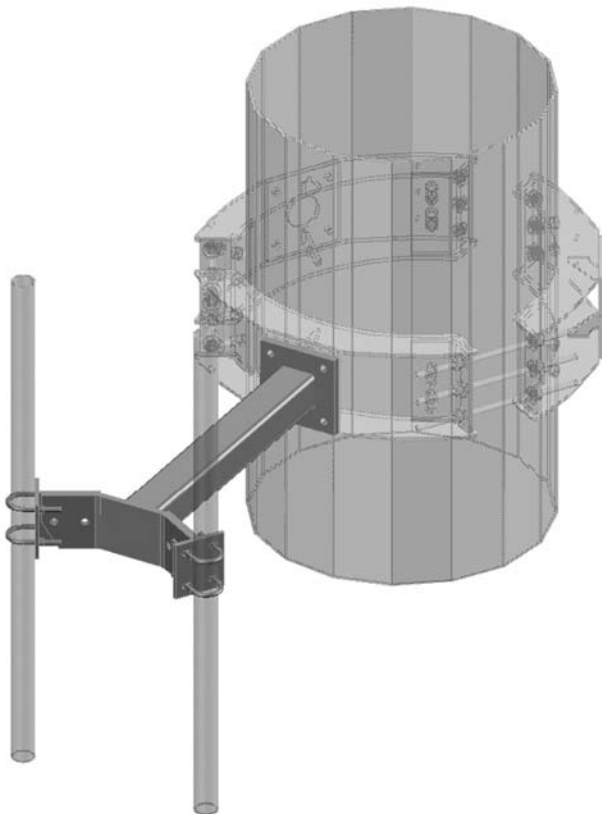
FOR TWO WIRELESS ANTENNAS

The Straight Arm Sector Mounts provide support for two wireless antennas that face adjacent sectors, 120° apart. The two antennas, separated by 1'-8½", can be tilted from 0° to 30°. The Mounts bolt to the separately ordered Tri-Bracket (page 10.1) with included 5/8" diameter hardware.

The wireless panel antennas mount on separately ordered 2⅜" OD Antenna-Mounting Pipes (page 8.1).

When three or four antennas are required for a sector, the B1826 Standoff Mount or the B1827 Dual Standoff Mount can be used with Straight Arm Sector Mounts to fill in the additional antennas. The Standoff Mounts require a separate Tri-Bracket for installation.

Galvanized.



* The "Sector Antenna Separation" is for the two antennas on each sector, when multiple Straight Arm Sector Mounts are installed.

Product Number	Standoff From Tri-Bracket	Sector Antenna Separation*	List Price
B1868	3'-3⅝"	6'	\$215.00
B1970	5'-7⅞"	10'	\$236.00

CURVED ARM SECTOR MOUNT

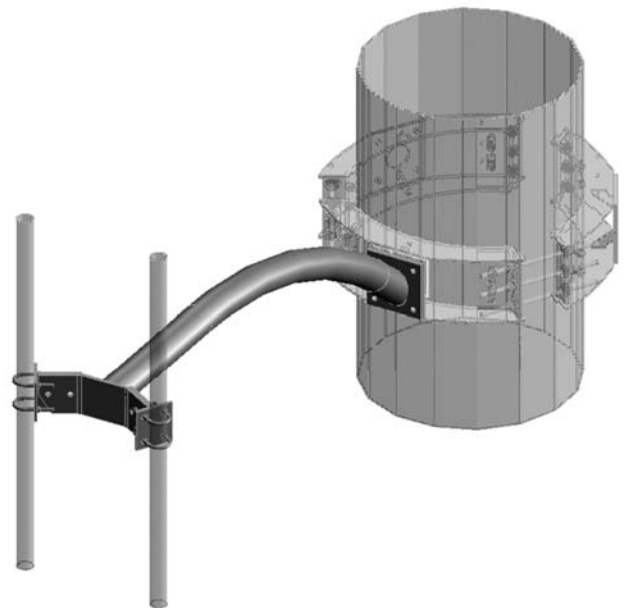
FOR TWO WIRELESS ANTENNAS

The Curved Arm Sector Mount provides support for two wireless antennas that face adjacent sectors, 120° apart, and are positioned 6'-8⅝" from the Tri-Bracket. The two antennas, separated by 1'-8½", can be down-tilted from 0° to 30°. The Curved Arm Sector Mount, with a vertical rise of 2'-5", bolts to the separately ordered Tri-Bracket (page 10.1) with included 5/8" diameter hardware.

The wireless panel antennas mount on separately ordered 2⅜" OD Antenna-Mounting Pipes (page 8.1).

When three or four antennas are required for a sector, the B1826 Standoff Mount or the B1827 Dual Standoff Mount can be used with Curved Arm Sector Mounts to fill in the additional antennas. The Standoff Mounts require a separate Tri-Bracket for installation.

Galvanized.



Product Number	Description	List Price
B1824	Curved Arm Sector Mounts for two antennas	\$365.00

ANTENNA SUPPORT STRUCTURES

MONOPOLE MOUNTS

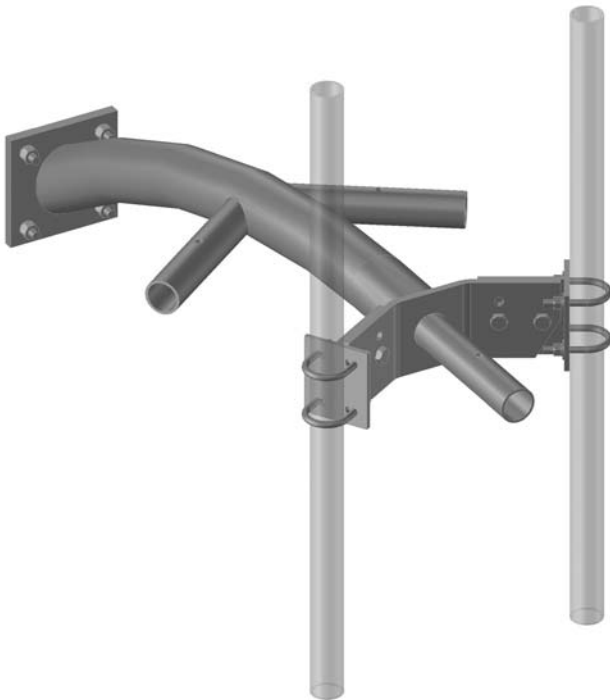
10.8

CURVED ARM

FOR PINE TREE POLE

The Curved Arm Sector Mount is used to add antennas to an existing Pine Tree Monopole. This mount provides support for two wireless antennas that face adjacent sectors, 120 degrees apart, and are positioned 4'-6" from the Tri-Bracket. The two antennas, separated by 1'-8½", can be down-tilted from 0 to 30 degrees. The Curved Arm Sector Mount has a vertical rise of 1'-1¼" and bolts to a separately ordered Tri-Bracket (page 10.1). Three stub-outs for pine branches are provided to help hide the antennas. Pine branches can be ordered separately, call for details.

Galvanized.



Product Number	Description	List Price
B2912	Curved Arm for Pine Tree Pole	\$495.00

DOWN-TILT BRACKET

FOR STANDOFF ARMS

When an existing standoff arm doesn't have a down tilt bracket, and one is required, the B2054 Down-Tilt Bracket will adapt the standoff arm to provide a down tilt from 0° to 30°. The necessary hardware is provided to mount the bracket to the standoff arm.

The wireless antenna installs on a separately ordered 2⅜" OD Antenna-Mounting Pipe (page 8.1) that U-bolts to the end of the Standoff Arm with included hardware.

Galvanized.



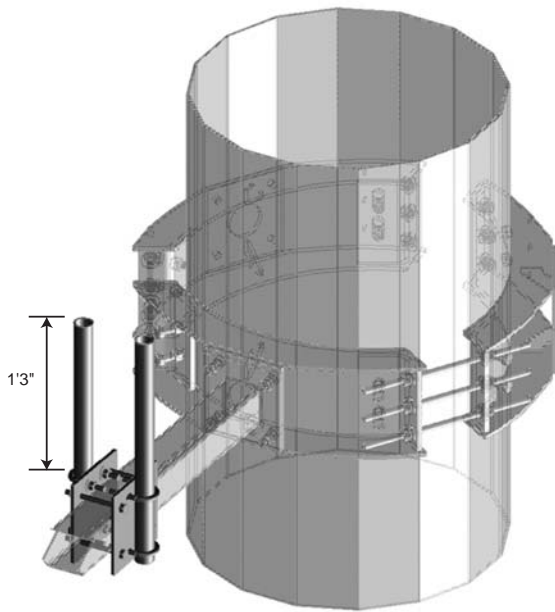
Product Number	Description	List Price
B2054	Down-Tilt Bracket	\$44.00

LNA MOUNT

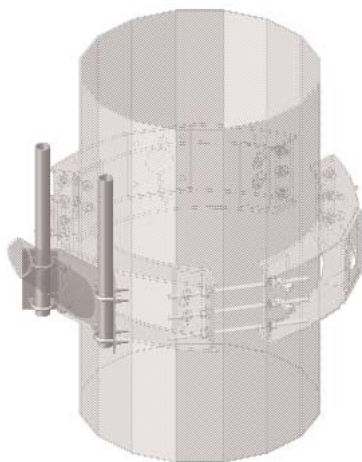
The Low Noise Amplifier (LNA) mounts on a 1.9" OD x 2' mast. The Mount is secured to the straight arm with included hardware.

The B2241 Mount is adjustable along the arm of the straight arm Mount.

The B2825 mounts between the Tri-Bracket and the base of a Curved Standoff Arm.



B2241 Shown



B2825 Shown

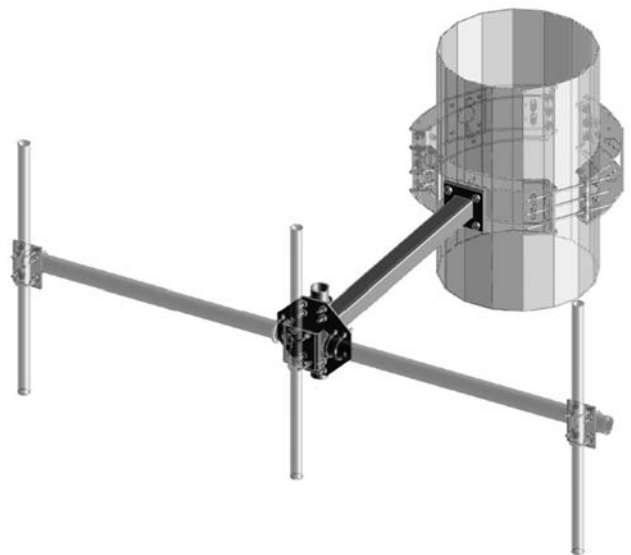
Product Number	Description	List Price
B2241	LNA Mount for Straight Standoff	\$65.00
B2825	LNA Mount for Curved Standoff	\$115.00

STRAIGHT STANDOFF

FOR SECTOR CROSS-ARM

The Straight Standoff provides support for one of the separately ordered Sector Cross-Arms (section 10) that support multiple Wireless Antennas on a sector. The Straight Standoffs are available in three lengths from 3' to 6'-6".

The Straight Standoff bolts to the separately ordered Tri-Bracket (page 10.1) with included 5/8" diameter hardware.



Product Number	Description	List Price
B1820	4'-8½" long	\$270.00
B2854	6'-6" long	\$350.00
B3045	3' long	\$245.00

ANTENNA SUPPORT STRUCTURES

MONOPOLE MOUNTS

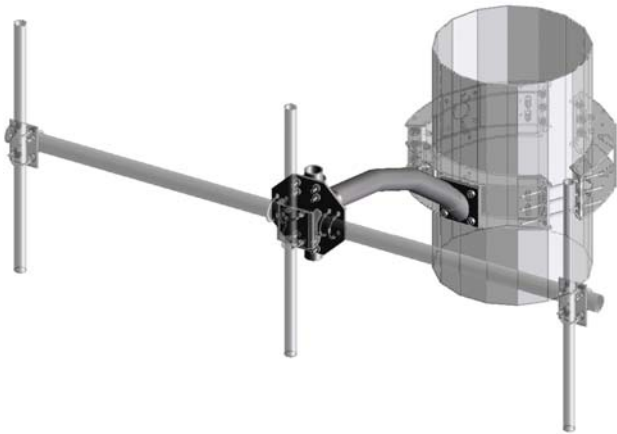
10.10

CURVED STANDOFF

FOR SECTOR CROSS-ARM

The Curved Standoff provides support for one of the Sector Cross-Arms that supports multiple wireless antennas on a sector. With a Curved Standoff, the antenna-mounting pipes installed on the separately ordered Sector Cross-Arm (section 10) standoff from the Tri-Bracket by 5'-4". Hardware with the Standoff includes $\frac{5}{8}$ " diameter U-bolts for attaching the Sector Cross-Arm to the end of the Curved Standoff.

The Curved Standoff, extending 4'-11 $\frac{1}{4}$ " from the Tri-bracket, has a vertical rise of 2'-2 $\frac{3}{8}$ " and bolts to the separately ordered Tri-Bracket (page 10.1) with included $\frac{5}{8}$ " diameter hardware.



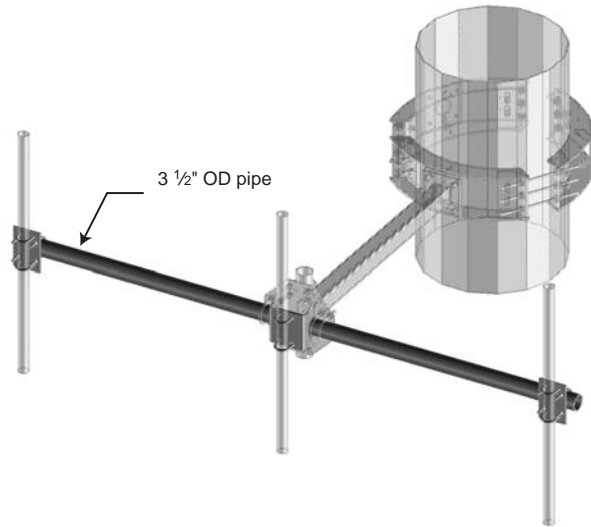
SECTOR CROSS-ARM

FOR THREE WIRELESS ANTENNAS

This Sector Cross-Arm supporting three wireless antennas has a face width with a center-to-center antenna spacing of 10'. With three antennas, the maximum antenna spacing is 5'.

Included U-bolts enable the Sector Cross-Arm to mount on the end of a Straight or Curved Standoff, allowing adjustment of the azimuth.

The wireless panel antennas mount on separately ordered 2 $\frac{3}{8}$ " OD Antenna-Mounting Pipes (page 8.1).



Product Number	Description	List Price
B1823	Curved Standoff for Sector Cross-Arm	\$365.00

Product Number	Description	List Price
B1821	Sector Cross-Arm for three antennas, 10' face	\$200.00

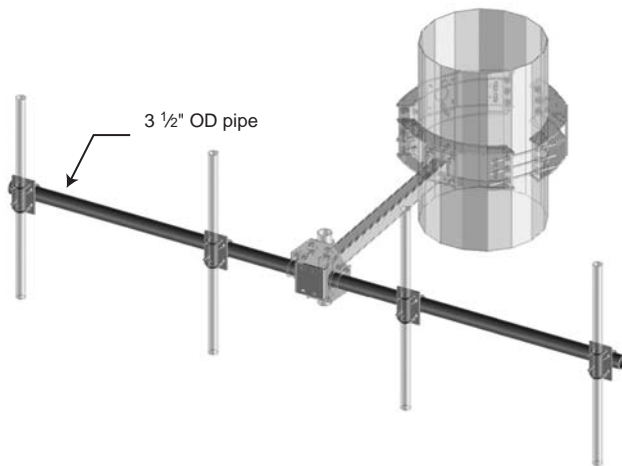
SECTOR CROSS-ARM

FOR FOUR WIRELESS ANTENNAS

This Sector Cross-Arm, supporting up to four wireless antennas, has a face width with a center-to-center spacing of 13' or 15'. With four antennas, the maximum spacing is 4'-4" or 5'. With three antennas on a sector, an alternate center-antenna location is utilized, providing a maximum antenna spacing of 6'-6" or 7'-6".

Included U-bolts enable the Sector Cross-Arm to mount on the end of a Straight or Curved Standoff, allowing adjustment of the azimuth.

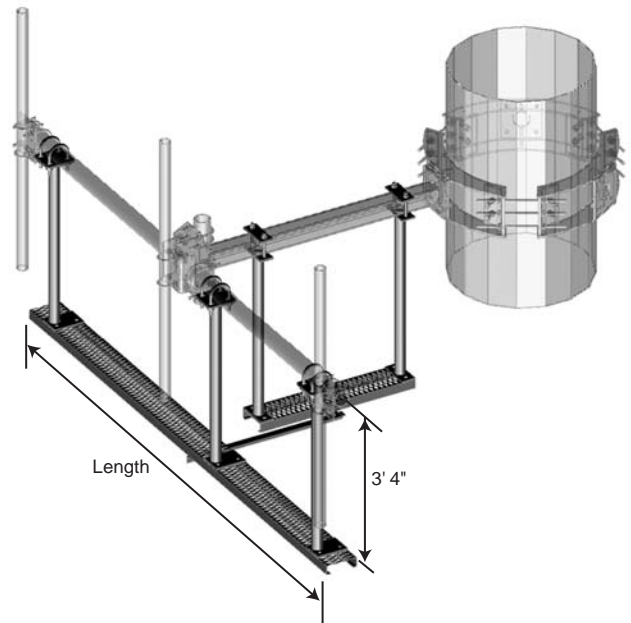
The wireless panel antennas mount on separately ordered 2³/₈" OD Antenna-Mounting Pipes (page 8.1).



WORK SUPPORT

FOR STRAIGHT ARM SECTOR MOUNTS

The Work Supports provide a 7" wide grating section to support a person while working on one of the Straight Arm Sector Mounts. The Work Support attaches to the Standoff Arm of the Mount, extending for the full length and 3'-2" below the arm. For safety, the worker must be correctly tied-off to the Monopole while supported on the Work Support.



Product Number	Description	List Price
B1822	Sector Cross-Arm for four antennas, 13' face	\$250.00
B2764	Sector Cross-Arm for four antennas, 15' face	\$265.00

Product Number	For Use With	Length	List Price
B1867	B1868 & B1820	3'	\$160.00
B1971	B1970	5'-4 ¹ / ₈ "	\$177.00
B2032	B1821 or B1822	10'	\$260.00

ANTENNA SUPPORT STRUCTURES

MONOPOLE MOUNTS

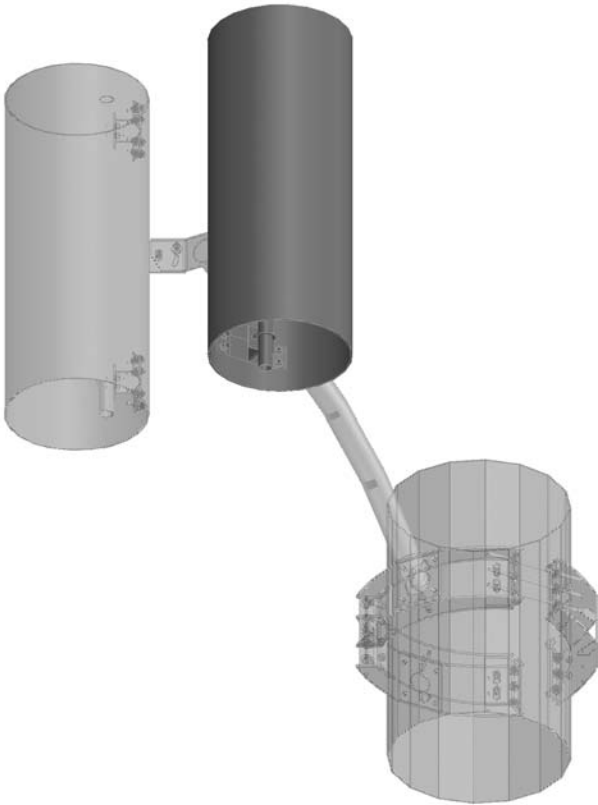
10.12

ANTENNA SHROUD

FOR SINGLE ANTENNA

The Antenna Shroud provides support for a single wireless panel antenna and disguises it as a cylindrical light fixture. Antenna Shroud is RF-transparent filament wound fiberglass (RF tests available upon request). The Shroud bolts to the separately ordered Standoff Arm (page 10.7) with included 1/2" diameter U-bolts.

The wireless panel antenna mounts on an included 2 3/8" OD Antenna-Mounting Pipe.



Custom Shrouds can be ordered in the following diameters: 1', 1'-2", 1'-4", 1'-6", 1'-8", 1'-10", 2', 2'-4", 2'-6", 3' and 4'.

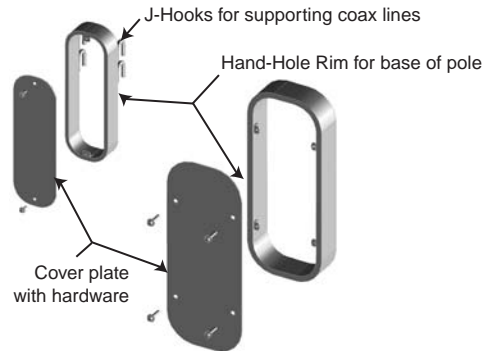
Product Number	Description	List Price
B2288	1'-6" x 4'-6" Shroud	\$1,100.00
B2289	1'-6" x 6'-6" Shroud	\$1,150.00
B2290	1'-6" x 8'-6" Shroud	\$1,200.00
B2291	2' x 4' 6" Shroud	\$1,150.00
B2292	2' x 6' 6" Shroud	\$1,250.00
B2293	2' x 8' 6" Shroud	\$1,350.00
B2294	2'-6" x 4'-6" Shroud	\$1,200.00
B2295	2'-6" x 6'-6" Shroud	\$1,300.00
B2296	2'-6" x 8'-6" Shroud	\$1,400.00

HAND-HOLE RIM

FOR POLYGON POLE STRUCTURES

Hand-Hole Rims can be added to an existing polygon pole to provide access for the internal routing of coax transmission lines. Hand-Hole Rims may be required when co-located wireless-antenna support products are added to an existing polygon pole.

The Rims, providing structural support to a hole created in a pole for access, are available for the top and bottom of the pole. The Rims, for use near the antennas, includes j-hooks for supporting the coax lines with Hoisting Grips (page 4.5). The B1849 and B2629 Hand-Hole Rims are for use near the base of the pole for exiting the coax lines. The Rims are welded into a hole in the pole. Instructions for the correct welding procedure are included.



Product Number	Outside Dimensions	J-Hooks	List Price
B1849	10 1/2" x 25 1/2"	No	\$285.00
B2239	6" x 18"	Yes	\$230.00
B2053	6" x 12"	Yes	\$125.00
B2247	6" x 9"	Yes	\$120.00
B2629	16" x 32"	No	\$310.00

COVER PLATES

FOR HAND-HOLE RIMS

Cover Plates are used to cover Hand-Hole Rims when not in use.

Product Number	Size	Fits Hand Hole-Rim	List Price
B2038	13" x 24"	—	\$45.00
B2058	10 1/2" x 25 1/2"	B1849	\$40.00
B2260	6" x 18"	B2239	\$25.00
B2259	6" x 12"	B2053	\$20.00
B2261	6" x 9"	B2247	\$15.00

CHAIN MOUNT

FOR SMALL ANTENNA

This Chain Mount provides a 1.90" OD x 1' long pipe for supporting a yagi or other small antenna on round poles with diameters from 6 1/2" to 3'.

Call for information on mounting this product to larger diameter poles.

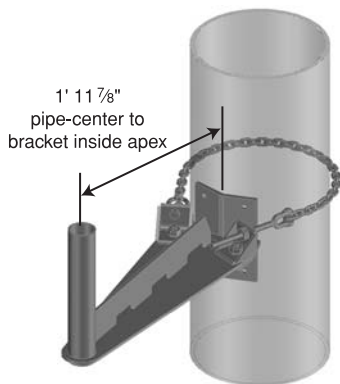


Product Number	Description	List Price
B1662	Chain Mount for small antenna	\$120.00

2' STANDOFF CHAIN MOUNT

FOR GPS ANTENNA

The B2069 provides a 2 3/8" OD x 9" mounting area for supporting a GPS or other small antenna. The Mount stands off from the pole 2' with diameters from 6 1/2" to 3'.



Product Number	Description	List Price
B2069	For round poles only	\$150.00
B2573	For polygonal poles only	\$150.00

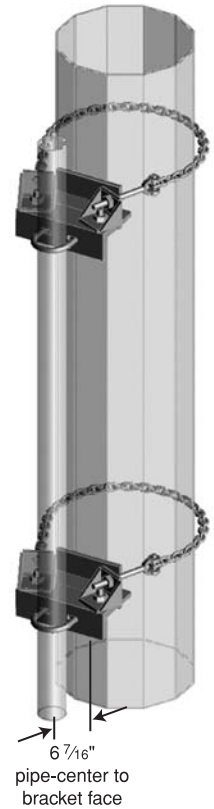
CHAIN MOUNT KIT

FOR SINGLE WIRELESS ANTENNA

These Chain Mount Kits support a single wireless antenna adjacent to either a round or polygon pole with diameters from 6 1/2" to 3'. Each Kit includes two bracket and chain units.

The wireless panel antenna mounts on a separately ordered 2 3/8" OD Antenna-Mounting Pipe (page 8.1).

Call for information on mounting these products to larger diameter poles.



Product Number	Description	List Price
B1640	Chain Mount Kit for round pole	\$165.00
B1652	Chain Mount Kit for polygon pole	\$175.00

ANTENNA SUPPORT STRUCTURES

MONOPOLE MOUNTS

10.14

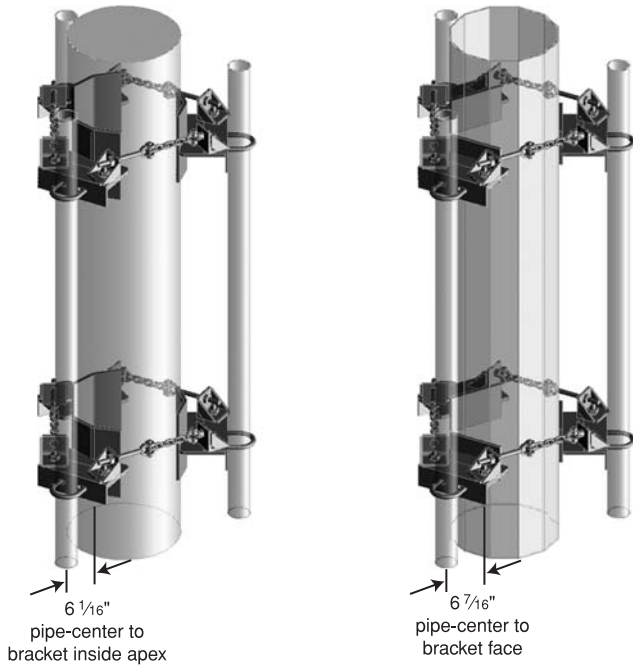
TRI-SECTOR CHAIN MOUNT KIT

FOR THREE WIRELESS ANTENNAS

These Tri-Sector Chain Mount Kits support three wireless antennas adjacent to either a round or polygon pole with diameters from 5½" to 3'. Each Kit includes the upper and lower bracket and chain units. The chains connecting each of the brackets are individually tightened, to assist with the azimuth adjustment for each antenna.

The wireless panel antennas mount on separately ordered 2⅜" OD Antenna-Mounting Pipes (page 8.1).

Call for information on mounting these products to larger diameter poles.



Product Number	Description	List Price
B1639	Tri-Sector Chain Mount Kit for round pole	\$465.00
B1653	Tri-Sector Chain Mount Kit for polygon pole	\$475.00

CHAIN MOUNT KIT

FOR 4-1/2" OD PLAIN PIPE

Chain Mount Kit mounts on a round pole with diameters from 6½" to 3'. Each Kit includes both the upper and lower bracket with U-bolts and chain units that support a separately ordered 4½" OD Plain Pipe (page 8.1). A single panel antenna or a small dish antenna can be installed on the Plain Pipe. When the Plain Pipe is cantilevered above the pole, a Tri-Sector Adapter Mount (page 8.2) can be used to support 3 panel antennas.

Call for information on mounting these products to larger diameter poles.



Product Number	Description	List Price
B1857	Chain Mount Kit for 4½" Mounting Pipe	\$185.00

CHAIN MOUNT KIT

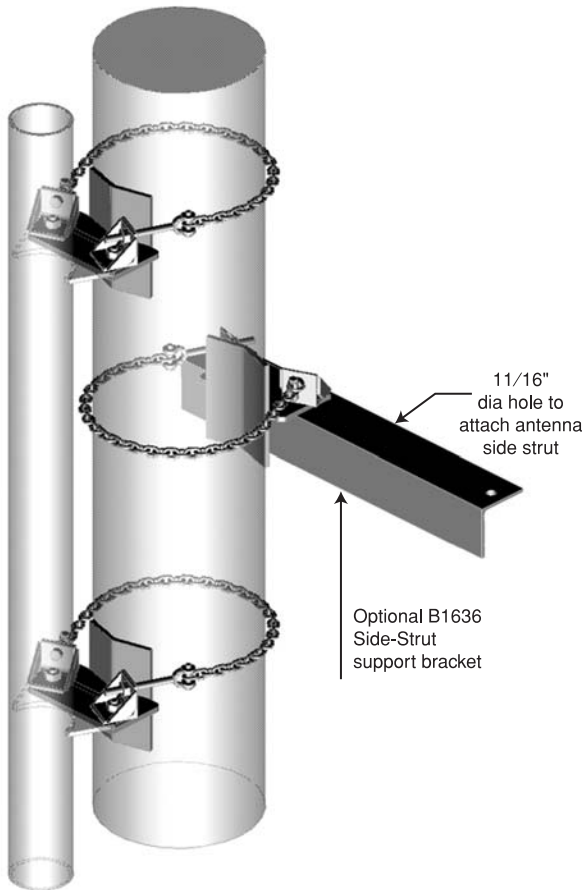
FOR DISH ANTENNA UP TO 6' DIAMETER

This Chain Mount Kit, supporting microwave dish antennas up to 6' diameter, mounts on a round pole with diameters from 6½" to 3'. Each Kit includes both the upper and lower bracket and chain units that support a separately ordered Antenna Pipe Mount weldment (page 8.9).

A microwave dish antenna mounts on any of the Antenna Pipe Mounts with 4½" OD pipe.

When the antenna includes a side-strut stabilizing rod, an optional B1636 Side-Strut Support Bracket is available to secure the rod. The 2' long Bracket supports a single side strut and chain mount on a round pole with diameters from 6½" to 3'.

Call for information on mounting these products to larger diameter poles.



Product Number	Description	List Price
B1624	Chain Mount Kit for round pole	\$155.00
B1636	Side-Strut Support Bracket for round pole	\$95.00

CHAIN MOUNT KIT

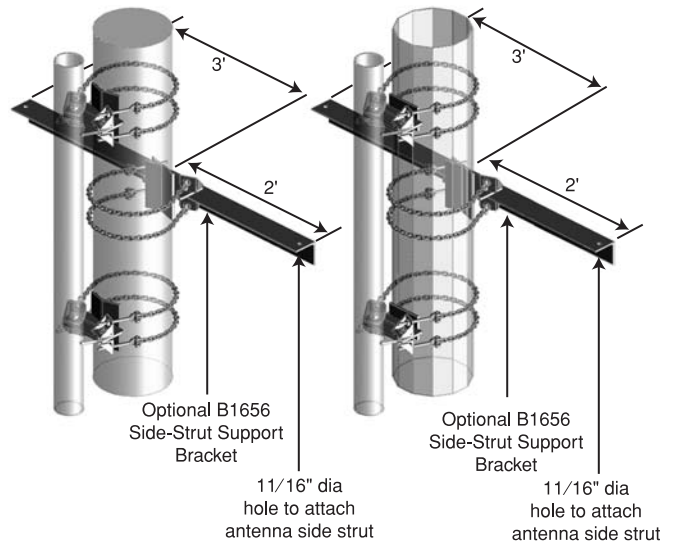
FOR DISH ANTENNA UP TO 8' DIAMETER

These Chain Mount Kits, supporting microwave dish antennas up to 8' diameter, mount on either a round or polygon pole with diameters from 6½" to 3'. Each Kit includes both the upper and lower brackets and chain units that support a separately ordered Antenna Pipe Mount weldment for vertical slopes (page 8.9).

A microwave dish antenna mounts on any of the Antenna Pipe Mounts with 4½" OD pipe.

When the antenna includes a side-strut stabilizing rod(s), an optional B1656 or B1655 Side-Strut Support Bracket is available to secure the rod(s). The 5' long Brackets support one or two side struts and chain mount on either a round or polygon pole with diameters from 6½" to 3'.

Call for information on mounting these products to larger diameter poles.



Product Number	Description	List Price
B1649	Chain Mount Kit for round pole	\$235.00
B1654	Chain Mount Kit for polygon pole	\$285.00
B1656	Side-Strut Support Bracket for round pole	\$190.00
B1655	Side-Strut Support Bracket for polygon pole	\$195.00

ANTENNA SUPPORT STRUCTURES

MONOPOLE MOUNTS

10.16

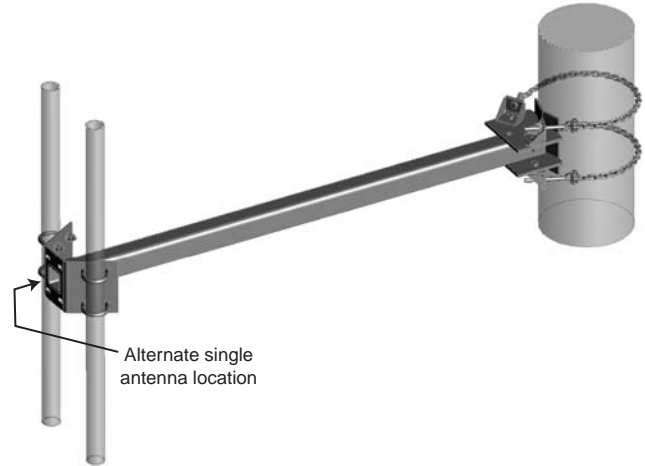
STANDOFF CHAIN MOUNT

FOR TWO WIRELESS ANTENNA

This Standoff Chain Mount provides one 5'-8" long Standoff Arm, supporting either a single wireless sector antenna on the end of the arm or two antennas that face adjacent sectors, 120° apart. With two antennas mounted to the Standoff Arm, center-to-center spacing between antennas is 11'.

The wireless panel antennas mount on separately ordered 2³/₈" OD Antenna-Mounting Pipes (page 8.1) that U-bolt to the standoff arms with included hardware.

The Standoff Chain Mount installs on round poles with diameters from 6¹/₂" to 3'. Call for information on mounting this product to larger diameter poles.



Product Number	Description	List Price
B1623	Standoff Chain Mount for two antennas	\$295.00

TRI-SECTOR STANDOFF CHAIN MOUNT

FOR SINGLE ANTENNA ON SECTOR

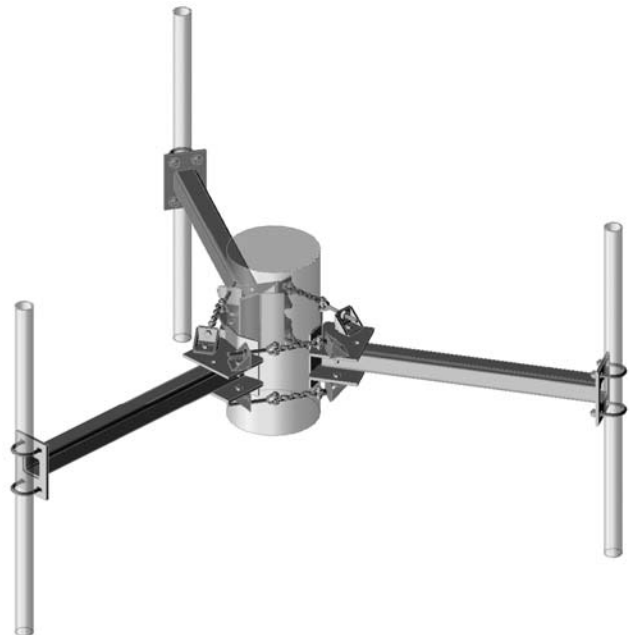
This Tri-Sector Standoff Chain Mount provides three stand-off arms, each supporting a single wireless sector antenna on the end of the 3'-4" long arm. The center-to-center spacing between antennas on the end of each standoff arm is 6', when mounted on a 5⁹/₁₆" OD pole.

The wireless panel antennas mount on separately ordered 2³/₈" OD Antenna-Mounting Pipes (page 8.1) that U-bolt to the standoff arms with included hardware.

The Tri-Sector Standoff Chain Mount installs on round poles with diameters from 5¹/₂" to 3'. The chains connecting each of the brackets are individually tightened, to assist with the azimuth adjustment for each Standoff Arm.

A B1581 Sector Adapter (page 8.6) can be used on each Standoff Arm to modify this Mount to achieve two-antenna coverage per sector.

Call for information on mounting this product to larger diameter poles.



Product Number	Standoff From Pole	Antenna Separation	List Price
B1883	3'-4"	6'	\$700.00

TRI-SECTOR STANDOFF CHAIN MOUNT

FOR TWO ANTENNAS ON SECTOR

Tri-Sector Standoff Chain Mount provides three standoff arms, each supporting either a single wireless sector antenna on the end of the arm or two antennas that face adjacent sectors, 120° apart. The standoff arms are 5'-8" long. With two-antennas mounted on the three standoff arms, each sector has two-antenna coverage with a center-to-center spacing antenna of 10'.

The wireless panel antennas mount on separately ordered 2³/₈" OD Antenna-Mounting Pipes (page 8.1) that u-bolt to the standoff arms with included hardware.

The Tri-Sector Standoff Chain Mounts install on round poles with diameters from 5¹/₂" to 3'. The chains connecting each of the brackets are individually tightened, to assist with the azimuth adjustment for each standoff arm.

A B2052 Three Antenna Sector Adapter (page 10.18) can be used to modify this mount to achieve three-antenna coverage per sector.

Call for information on mounting this product to larger diameter poles.



Product Number	Standoff From Pole	Sector Antenna Separation	List Price
B1622	5'-8"	10'	\$785.00

TRI-SECTOR STANDOFF WIRELESS MOUNT

FOR 4-1/2" OD PIPE MAST

Tri-Sector Standoff Wireless Mount provides three 6' long standoff arms, each supporting either a single antenna on the end of the arm, or two antennas facing adjacent sectors. With two antennas mounted on the three standoff arms, each sector has two-antenna coverage with a center-to-center antenna spacing of 10'.

The wireless antennas install on separately ordered 2³/₈" OD Antenna-Mounting Pipes (page 8.1) that u-bolt to the stand-off arms with included hardware.

The Tri-Sector Standoff Wireless Mount installs on support structures with a 4¹/₂" OD pipe mast, including some of the ground-mounted Monopoles (section 15) and the Rooftop Tripods (section 13) and is secured to the pipe mast with the Mount's clamping mechanism. During installation, a safety collar supports the structure while the clamp is loosened to allow rotation of the Mount to the required azimuth.



Product Number	Description	List Price
B1705	For 4 ¹ / ₂ " OD pipe mast	\$475.00

ANTENNA SUPPORT STRUCTURES

MONOPOLE MOUNTS

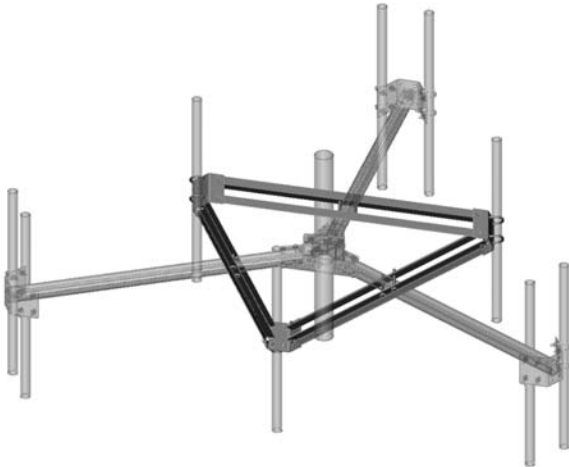
10.18

THREE ANTENNA SECTOR ADAPTER

FOR TRI-SECTOR & CHAIN STANDOFF MOUNTS

Three-Antenna Sector Adapter modifies the B1705 Tri-Sector Standoff, B1970 Straight Standoff Arm or B1622 Chain Standoff mounts to enable the installation of three additional antennas per sector. The Adapters work on poles up to 3' OD.

The wireless antenna install on separately ordered 2³/₈" OD Antenna-Mounting pipes (page 8.1) that u-bolt to the stand-off arms with included hardware.



Product Number	Description	List Price
B2052	Fits on B1622 or B1705	\$200.00
B2634	Fits on B1970	\$200.00

CHAIN

GR 40, GALVANIZED

When installing a chain mount on a pole with a diameter larger than 3', call for information on the proper ordering procedure.

When separate chain is needed for other purposes, order the length required.



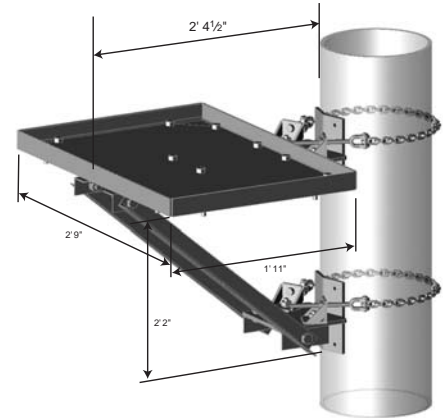
Product Number	Description	List Price
B1696	Chain, 1/4" Grade 40	\$2.00

EQUIPMENT PLATFORM CHAIN MOUNT

FOR ROUND POLES

The Equipment Platform Chain Mount provides 2'-6" x 1'-8" surface to secure radio equipment to round poles with diameters from 6¹/₂" to 3'. The surface is 11-gauge steel and is supported with a steel angle frame.

Galvanized.



Product Number	Description	List Price
B1646	Equipment Platform Chain Mount	\$395.00

CLAMP-ON WORK SUPPORT

FOR PIPE OR ANGLE LEGS

The Work Support provides a 18" x 18" platform for a tower climber to stand on while accessing antennas or RF equipment. The Work Support mounts on straight or sloped legs.

Additional worker support is required for safety reasons.

Fits on 2³/₈" to 6⁵/₈" OD pipe or angle legs up to 6".



Product Number	Description	List Price
B2775	Clamp-On Work Support	\$175.00

PIPE MOUNT

FOR WOOD POLES

The Pipe Mounts for wood poles are available with both 2³/₈" OD and 4¹/₂" OD pipes to support either wireless or dish antennas.

The Pipe Mounts fit pole diameters from 10" to 1'-10" and attach with included 5/8" diameter hardware, either 4" long lag screws or threaded rods, installed through the wood pole.

An optional 99393 Side-Strut Bracket is also available to provide an anchor point for securing an antenna's side strut. The Side-Strut Bracket bolts to one of the mounting angles on the Pipe Mount with included 5/8" diameter hardware.



Product Number	Pipe Mount Diameter	Length	List Price
99485	2 ³ / ₈ "	5'	\$185.00
99486	4 ¹ / ₂ "	5'	\$205.00
99487	4 ¹ / ₂ "	8'-4"	\$240.00
99393	Side Strut Bracket		\$30.00