

ANTENNA SUPPORT STRUCTURES

PIPES & PIPE MOUNTS

8.1

PLAIN PIPE, TUBE & ANGLE

FOR ANTENNA MOUNTING

Plain Pipes, Tubes, and Angles are available in the sizes and lengths shown. The Pipes and Tubes are standard wall thickness, unless shown otherwise. The 2³/₈" OD pipes listed here are used for mounting wireless antennas on many of the wireless support structures shown in the following Catalog sections. For ease of reference, these Antenna-Mounting Pipes are shown separately in those sections along with the wireless support structures.

Galvanized.



Product Number	Description	List Price
B1001	2 ³ / ₈ " OD x 4' long pipe	\$17.00
B1478	2 ³ / ₈ " OD x 5'-6" long pipe	\$21.00
B2650	2 ³ / ₈ " OD x 2'-9" long pipe, .218 wall	\$17.00

Product Number	Description	List Price
B1461	2 ³ / ₈ " OD x 7' long pipe	\$28.00
B1479	2 ³ / ₈ " OD x 8'-6" long pipe	\$33.00
B1645	2 ³ / ₈ " OD x 11' long pipe	\$44.00
B1913	2 ³ / ₈ " OD x 14' long pipe	\$56.00
B2081	2 ³ / ₈ " OD x 15' long pipe, .218 wall	\$75.00
B1869	2 ³ / ₈ " OD x 3' long pipe, .276 wall	\$29.00
B2063	2 ³ / ₈ " OD x 4' long pipe	\$35.00
B2324	2 ³ / ₈ " OD x 5'-6" long pipe	\$30.00
B1462	2 ³ / ₈ " OD x 7' long pipe	\$38.00
B2325	2 ³ / ₈ " OD x 8'-4" long pipe	\$45.00
B1855	2 ³ / ₈ " OD x 10' long pipe	\$55.00
B1919	2 ³ / ₈ " OD x 13' long pipe	\$76.00
B1930	2 ³ / ₈ " OD x 15' long pipe, .276 wall	\$120.00
B1697	3" OD x 10' long tube	\$95.00
B1002	4 ¹ / ₂ " OD x 5' long pipe	\$55.00
B1003	4 ¹ / ₂ " OD x 8' 4" long pipe	\$92.00
B1967	4 ¹ / ₂ " OD x 13' long pipe	\$125.00
B1456	2" x 2" x 10' long angle, ³ / ₁₆ " wall	\$18.00
B1457	2 ¹ / ₂ " x 2 ¹ / ₂ " x 10' long angle, ³ / ₁₆ " wall	\$25.00
B1458	3" x 3" x 10' long angle, ³ / ₁₆ " wall	\$29.00

TOWER-LEG WIRELESS MOUNT

FOR PIPE-LEG & ANGLE-LEG TOWERS

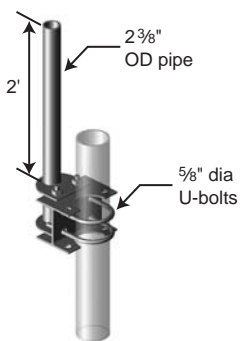
Tower-Leg Wireless Mounts, are used to support a whip or yagi antenna. Mounts are placed adjacent to legs on vertical or sloped pipe-leg and angle-leg towers.

The Mounts are designed for 100 mph wind and 1/2" radial ice per EIA-RS-222-C. Maximum antenna loading is:

Wind load of 200 lb; Overturning moment of 2,000 ft-lb; Static weight of 250 lb. Galvanized.

PIPE LEG MOUNTS

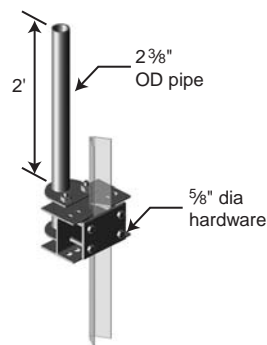
Pipe Leg Mounts fit outside diameters from 2⁷/₈" to 10³/₄" and are adjustable to accommodate leg slopes of 9:1, 16:1, or vertical.



Product Number	Fits Pipe-Leg OD	List Price
B1480	2 ⁷ / ₈ "	\$102.00
B1481	3 ¹ / ₂ "	\$102.00
B1482	4"	\$106.00
B1483	4 ¹ / ₂ "	\$106.00
B1484	5 ⁹ / ₁₆ "	\$110.00
B1485	6 ³ / ₈ "	\$110.00
B1552	8 ⁵ / ₈ "	\$125.00
B1553	10 ³ / ₄ "	\$140.00

ANGLE LEG MOUNTS

Angle Leg Mounts for 3-leg and 4-leg towers fit angle sizes from 2¹/₂" x 2¹/₂" to 8" x 8" and are adjustable to accommodate leg slopes of 12:1, 16:1, or vertical.



For 3-Leg Tower	List Price	For 4-Leg Tower	List Price	Fits Angle Leg Size
B1492	\$135.00	B1486	\$135.00	2 ¹ / ₂ " x 2 ¹ / ₂ " & 3" x 3"
B1493	\$140.00	B1487	\$140.00	3 ¹ / ₂ " x 3 ¹ / ₂ " & 4" x 4"
B1495	\$145.00	B1489	\$145.00	5" x 5"
B1496	\$170.00	B1490	\$170.00	6" x 6"
B1497	\$180.00	B1491	\$190.00	8" x 8"

ANTENNA SUPPORT STRUCTURES

PIPES & PIPE MOUNTS

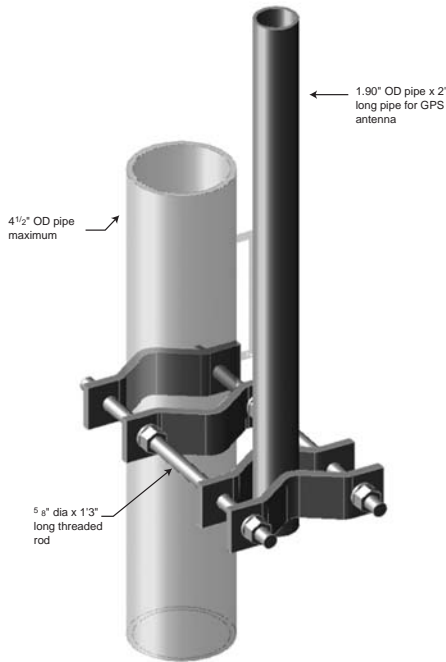
8.2

UNIVERSAL GPS MOUNTING KIT

FOR PIPE-LEG TOWERS

Universal GPS Mounting Kit provides a 1.90" OD x 2' long pipe for installing a GPS antenna. The Kit uses two universal clamping units that mount on tower leg pipes up to 4½" OD.

Galvanized.

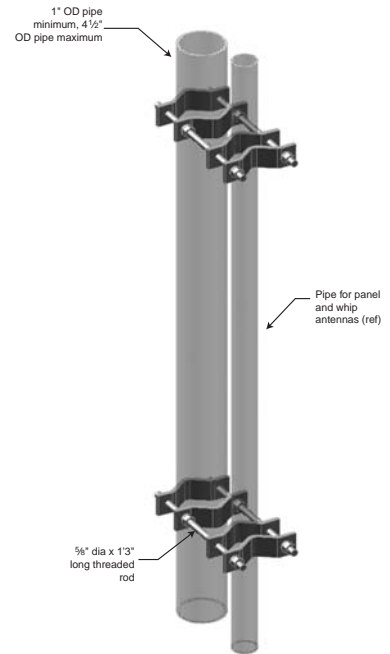


Product Number	Description	List Price
B1841	Universal GPS Mounting Kit	\$72.00

UNIVERSAL PIPE ADAPTER KIT

Universal Pipe Adapter Kit is used to interconnect two pipes in light-duty applications. The Kit is primarily for mounting whip and panel antennas to pipes with diameters from 1" to 4½". Two clamp units are included in the Kit.

Galvanized.



Product Number	Description	List Price
B1534	Universal Pipe Adapter Kit	\$53.00

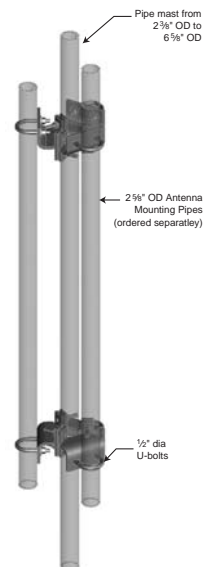
TRI-SECTOR ADAPTER MOUNT

FOR WIRELESS ANTENNAS

Tri-Sector Adapter Mount enables the installation of three wireless antennas adjacent to pipe masts from 2¾" OD to 6⅝" OD. The Mount clamps to the supporting pipe mast and provides for attachment of separately ordered Antenna-Mounting Pipes (page 8.1) for mounting wireless antennas. Two clamp units and the necessary U-bolts and hardware are included.

Galvanized.

Product Number	Minimum OD	Maximum OD	List Price
B1845	2¾"	2⅞"	\$270.00
B1708	3½"	4½"	\$305.00
B1707	4½"	6⅝"	\$345.00

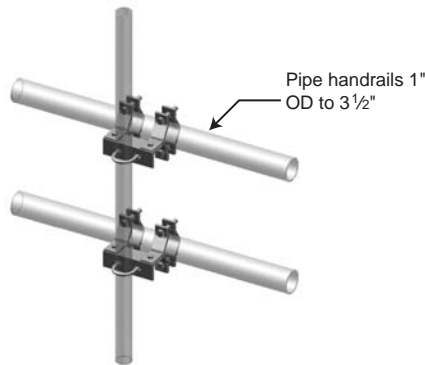


PIPE-HANDRAIL MOUNTING BRACKETS

FOR WIRELESS ANTENNA

Pipe-Handrail Mounting Brackets attach to existing horizontal handrail pipes, from 1" OD to 3 1/2" OD, and enable the support of a separately ordered Antenna-Mounting Pipe (page 8.1) for a wireless antenna. The Kit includes two bracket units and the necessary U-bolts and hardware.

Galvanized.

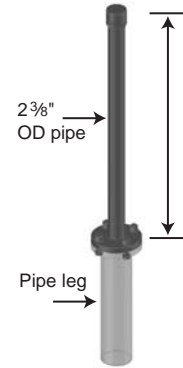


Product Number	Description	List Price
B1900	Pipe-Handrail Mounting Brackets	\$71.00

TOP-FLANGE ANTENNA MOUNT

Top-Flange Antenna Mount attaches directly to the pipe-leg flange at the top of Valmont/Microflect's 800 Series Towers. The Mount is 2 3/8" OD x 3' long and is furnished with a Pipe Cap.

Galvanized.



Product Number	Fits Flange On	List Price
99138	2 1/8" OD pipe leg	\$65.00
99137	4 1/2" OD pipe leg	\$80.00

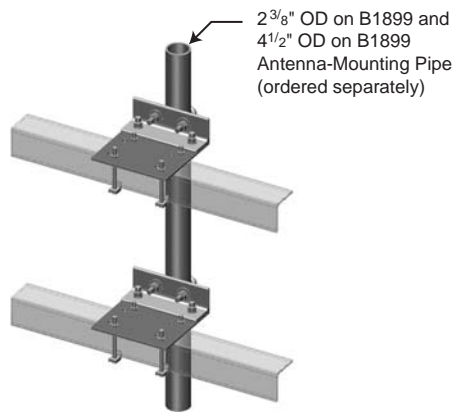
ANGLE-HANDRAIL MOUNTING BRACKETS

FOR WIRELESS ANTENNA

Angle-Handrail Mounting Brackets attach to existing horizontal handrail angles, and enable the support of a separately ordered Antenna-Mounting Pipe (page 8.1) for a wireless antenna. Depending on the Kit ordered, the bracket will mount on a 2" x 2" to 6" x 6" angle.

The Kit includes two bracket units and the necessary U-bolts and hardware.

Galvanized.



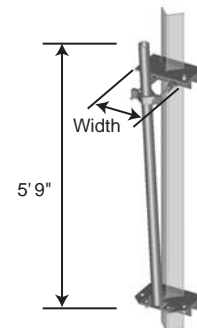
Product Number	For Angle Handrail Size	List Price
B1899	2" x 2" to 3" x 3" for 2 3/8" OD pipe	\$87.00
B1859	3 1/2" x 3 1/2" to 6" x 6" for 4 1/2" OD pipe	\$140.00

ADJUSTABLE SLOPE WIRELESS MOUNT

FOR ANGLE-LEG TOWER

Adjustable Slope Wireless Mounts for panel and whip antennas mount adjacent to the vertical or sloped legs of 4-leg angle towers and accommodate leg slopes from 3° to 10°. These 2 3/8" OD Mounts are available for angle sizes from 2 1/2" to 8".

Galvanized.



For 4-Leg Tower	List Price	For 3-Leg Tower	List Price	For Angle Size	Width
B1709	\$195.00	B2045	\$195.00	2 1/2" x 2 1/2" to 6" x 6"	1' 3/4"
B1926	\$225.00	—	—	8" x 8"	1' 3"

ANTENNA SUPPORT STRUCTURES

PIPES & PIPE MOUNTS

8.4

3' STANDOFF WIRELESS MOUNT

FOR PIPE-LEG & ANGLE-LEG TOWERS

The 3' Standoff Wireless Mounts, for supporting a panel or whip antenna, mount on vertical or sloped pipe-leg and angle-leg towers. Universal Mount fits Pipe Legs from 1 $\frac{3}{4}$ " to 8 $\frac{5}{8}$ " outside diameters and Angle Legs from 2 $\frac{1}{2}$ " x 2 $\frac{1}{2}$ " to 6" x 6". The Mount is adjustable to accommodate leg slopes of 9:1 (6.3°), 12:1 (4.8°), 16:1 (3.6°), or vertical (0°).

Additional Mounts are available for:

Pipe Legs from 10 $\frac{3}{4}$ " to 12 $\frac{3}{4}$ " outside diameters and are adjustable to accommodate leg slopes of 9:1 (6.3°), 16:1 (3.6°), or vertical (0°)

Angle Legs, 8"x8" to accommodate leg slopes of 12:1 (4.8°), 16:1 (3.6°), or vertical (0°)

The wireless antenna installs on a separately ordered 2 $\frac{3}{8}$ " OD Antenna-Mounting Pipe (page 8.1) that U-bolts to the end of the Standoff Mount with included hardware.

Design loading, per EIA-RS-222-C, is for 100 mph and $\frac{1}{2}$ " of radial ice.

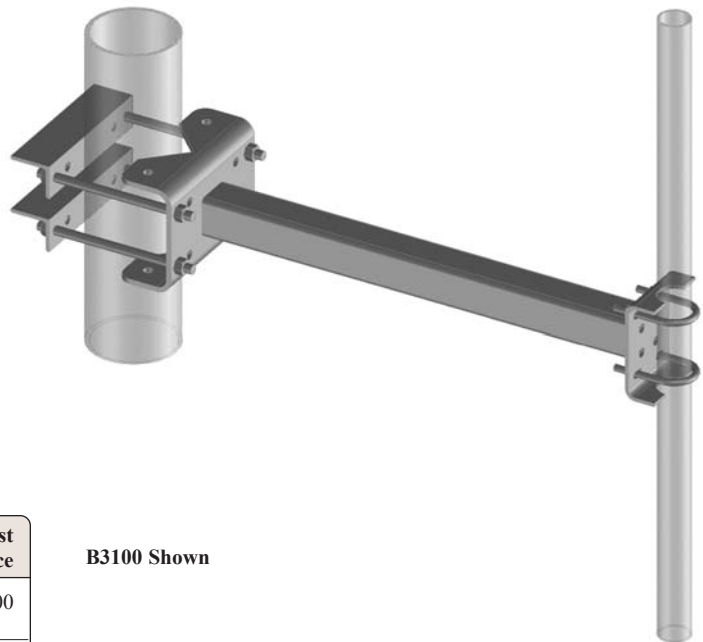
Maximum antenna loading is:

	<u>Whip Antenna</u>	<u>Panel Antenna*</u>
Lateral wind load	200 lb	600 lb
Overturning moment	2,000 ft-lb	N/A
Static weight	250 lb	250 lb

*The maximum Panel Antenna Loading shown assumes the antenna is centered on the Mount.



B1551 Shown



B3100 Shown

Product Number	Description	List Price
B3100	Universal Mount; fits 1 $\frac{3}{4}$ " to 8 $\frac{5}{8}$ " OD pipe leg and 2 $\frac{1}{2}$ " x 2 $\frac{1}{2}$ " to 6" x 6" Angle Leg	\$155.00
B1551	Fits 10 $\frac{3}{4}$ " OD pipe leg	\$170.00
B1617	Fits 12 $\frac{3}{4}$ " OD pipe leg	\$185.00
B1509	Fits 8" x 8" Angle	\$170.00

4', 6' AND 8' STANDOFF WIRELESS MOUNTS

FOR PIPE-LEG & ANGLE-LEG TOWERS

The 4', 6' and 8' Standoff Wireless Mounts, for supporting a panel or whip antenna, mount on vertical or sloped pipe-leg and angle-leg towers. Universal Mount fits pipe leg OD from 1 3/4" to 8 5/8" and angle leg from 2 1/2" to 2 1/2" to 6" x 6".

Additional Mounts are available for:

Pipe Legs from 10 3/4" to 12 3/4" outside diameters and are adjustable to accommodate leg slopes of 9:1 (6.3°), 16:1 (3.6°), or vertical (0°)

Angle Legs, 8"x8" to accommodate leg slopes of 12:1 (4.8°), 16:1 (3.6°), or vertical (0°)

The wireless antenna installs on a separately ordered 2 3/8" OD Antenna-Mounting Pipe (page 8.1) that U-bolts to the end of the Standoff Mount with included hardware. A Mounting Pipe, available in five lengths from 4' to 11', is selected to match the antenna requirement.

An included stabilizing rod, 1.90" OD x 13' long, attaches to the Mount in two possible locations and is secured to the tower either on a girt, at a braced location, or on a pipe leg, using a Side-Strut Bracket (page 8.12).

Design loading, per EIA-RS-222-C, is for 100 mph and 1/2" of radial ice.

Maximum antenna loading is:

	<u>Whip Antenna</u>	<u>Panel Antenna*</u>
Lateral wind load	250 lb	600 lb
Overturning moment	1,350 ft-lb	
Static weight	250 lb	250 lb

*The maximum Panel Antenna Loading shown assumes the antenna is centered on the Mount.

4', 6' and 8' Standoff Wireless Mounts are also available for Bogner-type antennas. Call for information.



B3118 Shown



B3115 Shown

Product Number	Description	List Price
B3115	Universal 4' standoff	\$375.00
B3116	Universal 6' standoff	\$390.00
B3117	Universal 8' standoff	\$405.00
B3118	10 3/4" 4' standoff	\$395.00
B3119	12 3/4" 4' standoff	\$410.00
B3120	10 3/4" 6' standoff	\$410.00
B3121	12 3/4" 6' standoff	\$425.00
B3122	8" x 8" angle 4' standoff	\$410.00
B3123	8" x 8" angle 6' standoff	\$425.00

ANTENNA SUPPORT STRUCTURES

PIPES & PIPE MOUNTS

8.6

4'-6' ADJUSTABLE STANDOFF WIRELESS MOUNT

FOR VERTICAL 3-LEG ANGLE GUYED TOWERS

These 4'-6' Adjustable Standoff Wireless Mounts, supporting a panel or whip antenna, are similar to the previous 4'-6' Standoff Mounts, except as noted.

These Mounts are designed for a 3-leg guyed tower with vertical angle legs in sizes from 3" to 4". The Mounts can be pivoted horizontally 30° in either direction from the apex of the angle leg to avoid guy wire interference.

With the B1863, the wireless antenna installs on a separately ordered 2³/₈" OD Antenna-Mounting Pipe (page 8.1) that U-bolts to the end of the Standoff Mount.

With the B1866, the wireless antenna installs on a separately ordered 2⁷/₈" OD Pipe (page 8.1).

A 1.90" OD x 13' long stabilizing rod is included with the Standoff Mounts to secure the Mount on the desired azimuth. The maximum antenna loading, when using standard-wall Antenna Mounting Pipes, is as shown on page 8.1.



Product Number	Description	List Price
B1863	2 ³ / ₈ "	\$395.00
B1866	2 ⁷ / ₈ "	\$395.00

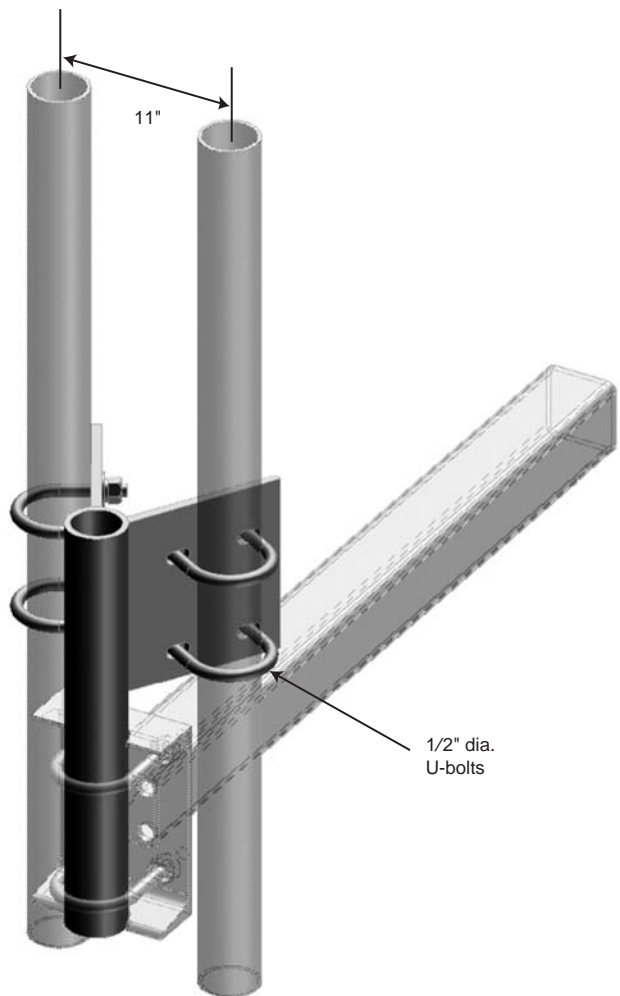
SECTOR ADAPTER

FOR STANDOFF MOUNTS

The Sector Adapter modifies a 3', 4', 6', or 8' Standoff Wireless Mount to enable support of two panel antennas facing adjacent sectors. The Sector Adapter, which replaces the normal single Antenna-Mounting Pipe, U-Bolts on the end of the Standoff Mount and provides support for two Antenna-Mounting Pipes. These Pipes are separated 11" and face azimuths 120° apart.

When the Sector Adapter is combined with a Standoff Wireless Mount on multiple tower legs, support is available for two antennas per sector. Antenna separation is dependent on the tower face-width and the stand-off of the Mount.

Galvanized.

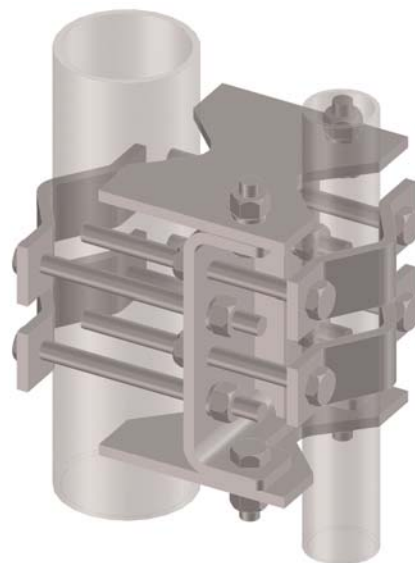


Product Number	Description	List Price
B1581	Sector Adapter for Standoff Wireless Mounts	\$90.00

UNIVERSAL PIPE TO PIPE ADAPTER KIT

Universal Pipe to Pipe Adapter Kit enables two pipes, of the same or different diameters from 1" to 4½", to be interconnected using the kit's two flange units. The Kit can be used to connect an antennas mounting pipe to a tower leg or a pipe mount. All hardware is included.

Galvanized.

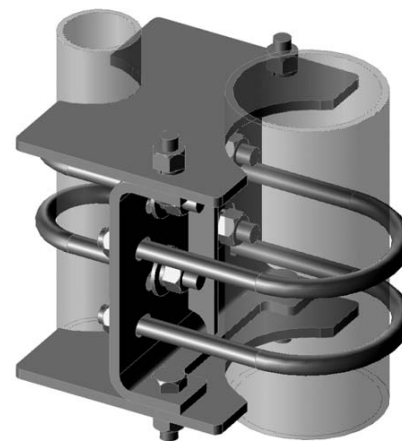


Product Number	Description	List Price
B3130	Universal Pipe to Pipe Adapter Kit	\$145.00

PIPE ADAPTER KIT

Pipe Adapter Kits enable two pipes, of the same or different diameters, to be interconnected using the Kit's two flange units. The Kit can be used to connect an antennas mounting pipe to a tower leg or a pipe mount. U-bolt hardware is included.

Galvanized.



Product Number	Description	List Price
B1565	2¾" OD to 2¾" OD	\$105.00
B1404	2⅞" OD to 2" OD	\$105.00
B1405	2⅞" OD to 2¾" OD	\$105.00
B1406	2⅞" OD to 2⅞" OD	\$116.00
B1407	2⅞" OD to 3½" OD	\$116.00
B1408	2⅞" OD to 4" OD	\$132.00
B1409	2⅞" OD to 4½" OD	\$137.00
B1410	2⅞" OD to 5⅞" OD	\$154.00
B1411	2⅞" OD to 6⅞" OD	\$159.00
B1412	2⅞" OD to 8" OD	\$190.00
B1413	2⅞" OD to 10¼" OD	\$216.00
B1414	2⅞" OD to 12¾" OD	\$248.00
B1415	3½" OD to 2" OD	\$105.00
B1416	3½" OD to 2¾" OD	\$105.00
B1417	3½" OD to 3½" OD	\$116.00
B1418	3½" OD to 4" OD	\$137.00
B1419	3½" OD to 4½" OD	\$137.00
B1420	3½" OD to 5⅞" OD	\$154.00
B1421	3½" OD to 6⅞" OD	\$159.00
B1422	3½" OD to 8" OD	\$196.00
B1423	3½" OD to 10¼" OD	\$222.00
B1424	3½" OD to 12¾" OD	\$248.00
B1425	4" OD to 2" OD	\$132.00
B1426	4" OD to 2¾" OD	\$132.00
B1427	4" OD to 4" OD	\$137.00

Product Number	Description	List Price
B1428	4" OD to 4½" OD	\$137.00
B1429	4" OD to 5⅞" OD	\$159.00
B1430	4" OD to 6⅞" OD	\$159.00
B1431	4" OD to 8" OD	\$196.00
B1432	4" OD to 10¼" OD	\$222.00
B1433	4" OD to 12¾" OD	\$248.00
B1434	4½" OD to 2" OD	\$132.00
B1435	4½" OD to 2¾" OD	\$137.00
B1436	4½" OD to 4½" OD	\$142.00
B1437	4½" OD to 5⅞" OD	\$159.00
B1438	4½" OD to 6⅞" OD	\$164.00
B1439	4½" OD to 8" OD	\$196.00
B1440	4½" OD to 10¼" OD	\$222.00
B1441	4½" OD to 12¾" OD	\$253.00

ANTENNA SUPPORT STRUCTURES

PIPES & PIPE MOUNTS

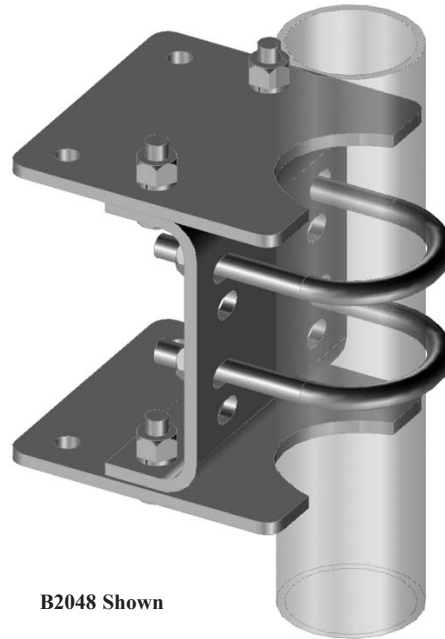
8.8

PIPE-LEG CLAMP KIT

Pipe-Leg Clamp Kits include two flange units to enable the attachment of an Antenna Mounting Pipe (page 8.1) using included hardware.

Galvanized.

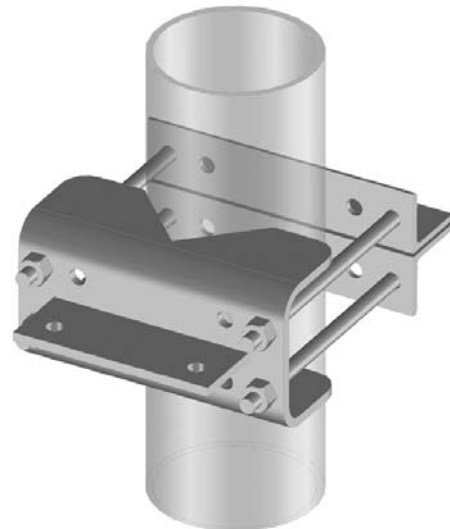
Product Number	Fits Pipe-Leg OD		List Price
	Upper Clamp	Lower Clamp	
B2048	1 ³ / ₄ "	1 ³ / ₄ "	\$83.00
B1153	2 ³ / ₈ "	2 ³ / ₈ "	\$90.00
B1740	2 ³ / ₈ "	2 ⁷ / ₈ "	\$86.00
B1746	2 ³ / ₈ "	3 ¹ / ₂ "	\$88.00
B1154	2 ⁷ / ₈ "	2 ⁷ / ₈ "	\$95.00
B1741	2 ⁷ / ₈ "	3 ¹ / ₂ "	\$91.00
B1747	2 ⁷ / ₈ "	4"	\$93.00
B1155	3 ¹ / ₂ "	3 ¹ / ₂ "	\$100.00
B1742	3 ¹ / ₂ "	4"	\$96.00
B1748	3 ¹ / ₂ "	4 ¹ / ₂ "	\$98.00
B1156	4"	4"	\$105.00
B1743	4"	4 ¹ / ₂ "	\$101.00
B1749	4"	5 ⁹ / ₁₆ "	\$104.00
B1157	4 ¹ / ₂ "	4 ¹ / ₂ "	\$110.00
B1744	4 ¹ / ₂ "	5 ⁹ / ₁₆ "	\$106.00
B1750	4 ¹ / ₂ "	6 ⁵ / ₈ "	\$109.00
B1158	5 ⁹ / ₁₆ "	5 ⁹ / ₁₆ "	\$115.00
B1745	5 ⁹ / ₁₆ "	6 ⁵ / ₈ "	\$112.00
B1953	5 ⁹ / ₁₆ "	8 ⁵ / ₈ "	\$117.00
B1159	6 ⁵ / ₈ "	6 ⁵ / ₈ "	\$120.00
B1912	6 ⁵ / ₈ "	8 ⁵ / ₈ "	\$119.00
B1160	8 ⁵ / ₈ "	8 ⁵ / ₈ "	\$124.00
B1401	10 ³ / ₄ "	10 ³ / ₄ "	\$155.00
B1698	12 ³ / ₄ "	12 ³ / ₄ "	\$197.00



B2048 Shown

UNIVERSAL TOWER LEG CLAMP KIT

Universal Tower Leg Clamp Kit fits pipe-leg from 1³/₄" to 8⁵/₈" outside diameter and angle legs from 2¹/₂" x 2¹/₂" to 6" x 6".



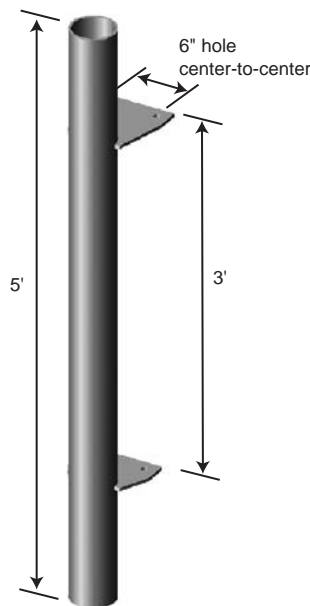
Product Number	Description	List Price
B3114	Universal Tower Leg Clamp Kit	\$150.00

ANTENNA PIPE MOUNT

FOR TOWER LEG

The Antenna Pipe Mount, available in 2³/₈" , 2⁷/₈" or 4¹/₂" OD pipe, is used with one of the Pipe-Leg or Angle-Leg Clamp Kits (page 8.1) or with the Monopole Chain Mounts on pages 10.13-10.18. The Antenna Pipe Mounts are available in four models to compensate for leg slopes from vertical to 12:1.

Galvanized.



Product Number	Description	List Price
B1754 ⁽¹⁾	2 ³ / ₈ " OD; Vertical Slope	\$62.00
B1161	2 ³ / ₈ " OD; Vertical Slope	\$62.00
B1164 ⁽²⁾	2 ³ / ₈ " OD; 20:1 Slope	\$62.00
B1163 ⁽³⁾	2 ³ / ₈ " OD; 16:1 Slope	\$62.00
B1162	2 ³ / ₈ " OD; 12:1 Slope	\$62.00
B1862	2 ⁷ / ₈ " OD; Vertical Slope	\$75.00
B2083 ⁽³⁾	2 ⁷ / ₈ " OD; 16:1 Slope	\$75.00
B965	4 ¹ / ₂ " OD; Vertical Slope	\$85.00
B968 ⁽²⁾	4 ¹ / ₂ " OD; 20:1 Slope	\$85.00
B967 ⁽³⁾	4 ¹ / ₂ " OD; 16:1 Slope	\$85.00
B966	4 ¹ / ₂ " OD; 12:1 Slope	\$85.00
B1728 ⁽⁴⁾	4 ¹ / ₂ " OD; 900 Series transition	\$85.00

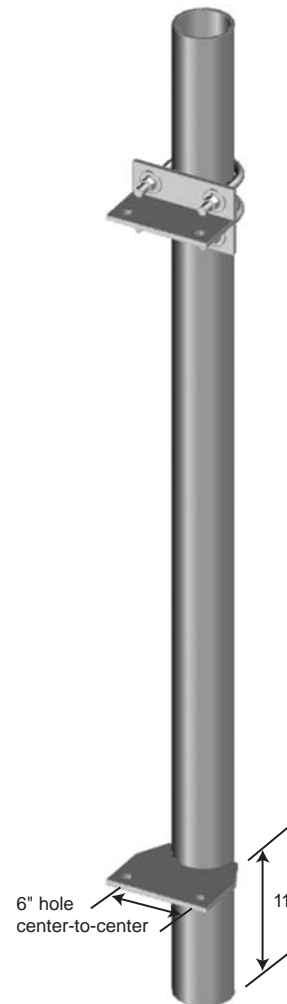
- ⁽¹⁾ 2³/₈" OD extra strong pipe - 3'-2" long.
- ⁽²⁾ Pipe Mounts are used on the sloped legs of Valmont Microflect's T900 Series Towers.
- ⁽³⁾ Pipe Mounts for use on sloped legs of Valmont Microflect's 300, 400, 800, and S900 Series Towers.
- ⁽⁴⁾ Pipe Mount for use on Valmont Microflect's 900 Series Towers to straddle the transition from a sloped leg to a vertical leg.

ANTENNA PIPE MOUNT

WITH ADJUSTABLE SLIDER BRACKET

The Antenna Pipe Mount, with an adjustable upper slider bracket, provide installation flexibility and three different pipe lengths for vertical tower leg applications. The 4¹/₂" OD Antenna Pipe Mount is used with one of the Pipe-Leg or Angle-Leg Clamp Kits (page 8.8), or with the Monopole Chain Mounts (pages 10.13-10.18).

Galvanized.



Product Number	Description	List Price
B1224	4 ¹ / ₂ " OD x 6'-8" long; vertical slope	\$128.00
B1225	4 ¹ / ₂ " OD x 10' long; vertical slope	\$164.00
B1925 ⁽¹⁾	4 ¹ / ₂ " OD x 14' long; vertical slope	\$225.00

- ⁽¹⁾ B1925 Pipe Mount is 4¹/₂" OD extra strong pipe.

ANTENNA SUPPORT STRUCTURES

PIPES & PIPE MOUNTS

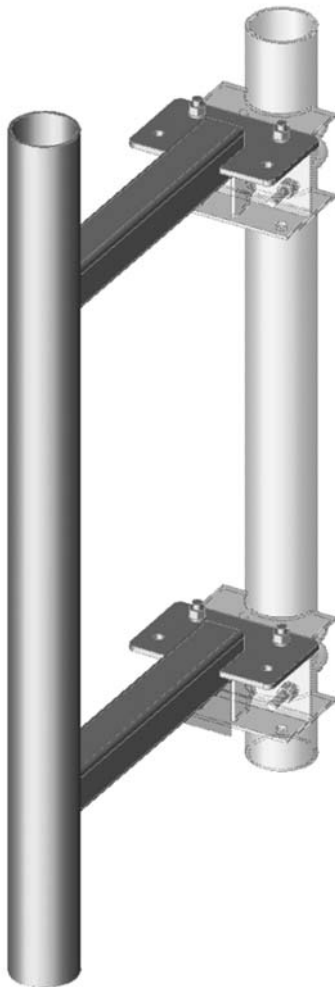
8.10

STANDOFF PIPE MOUNT

FOR DISH ANTENNA & WIRELESS FRAME

Standoff Pipe Mounts provide a mounting pipe for a microwave dish antenna or a Wireless Frame (section 11) that supports multiple antennas per sector. The Standoff Pipe Mounts help avoid tower interference when a dish antenna or Wireless Frame is rotated to the desired azimuth.

The Standoff Pipe Mount installs on vertical tower legs only, and requires either a Pipe-Leg or Angle-Leg Clamp Kit (page 8.8) for installation.



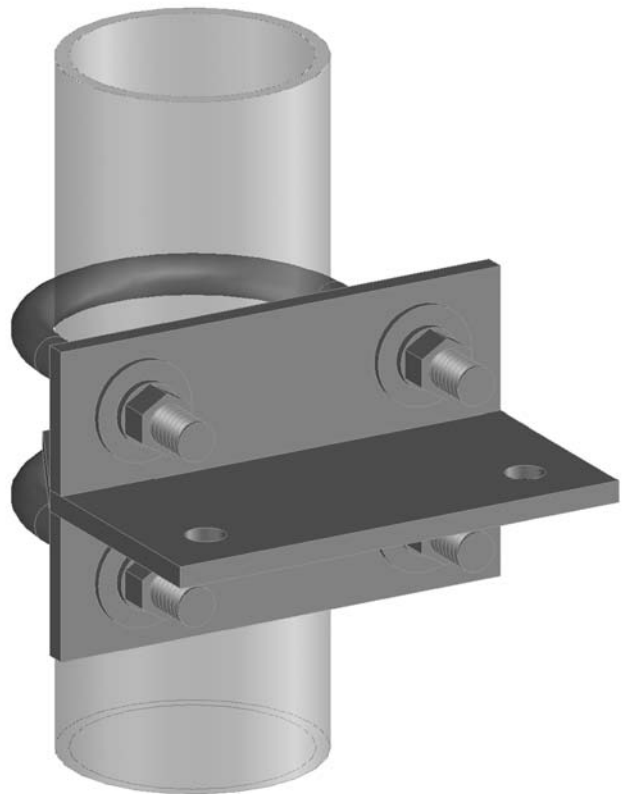
Product Number	Stand-Off Length	Mounting Length	List Price
B1738	2'	4½" OD x 5'	\$170.00
B1739	3'	4½" OD x 5'	\$180.00
B2210	3'	2¾" OD x 4'	\$135.00

ADJUSTABLE SLIDER BRACKET

FOR ANTENNA PIPE MOUNT

Adjustable Pipe Mount Slider Bracket mounts 2¾" or 4½" OD Plain Pipe (page 8.1) to Pipe-Leg Clamps on vertical tower legs. This provides flexibility in choosing the pipe mount length and Pipe-Leg Clamp locations on the tower. Two Clamps are required to support the Plain Pipe. All U-bolts and necessary hardware are included.

Galvanized.



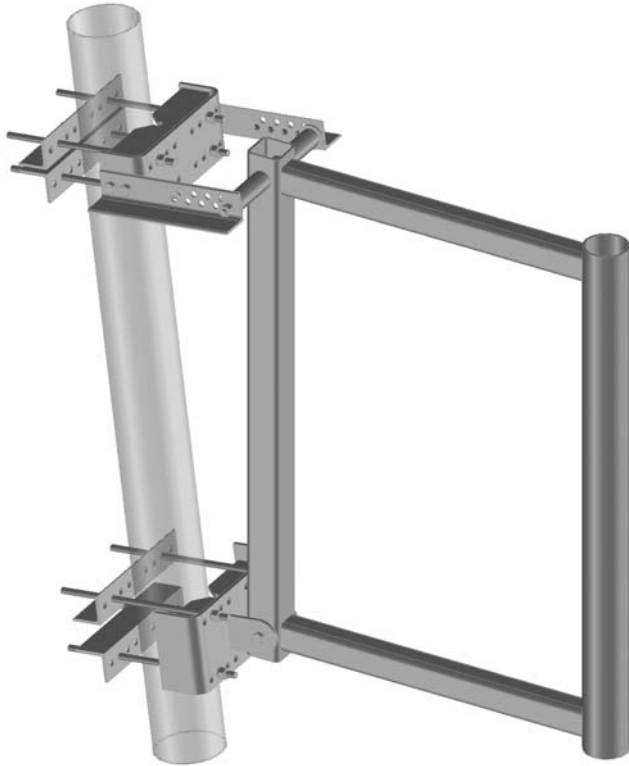
Product Number	Description	List Price
B1387	For 2¾" OD Pipe	\$51.00
B1332	For 4½" OD Pipe	\$61.00

UNIVERSAL ADJUSTABLE SLOPE PIPE MOUNT

WITH OR WITHOUT STANDOFF

Universal Adjustable Slope Pipe Mount will fit round legs from 2" to 10³/₄" OD and angle legs from 2¹/₂" to 8". It is also adjustable to fit tower leg slopes from zero to seven degrees. All models provide 4¹/₂" OD mounting pipe.

Standoff models are designed to support wireless frames (section 11), and models without standoff are designed to support standoff wireless frames (section 11) and micro-wave dish antennas up to 8' diameter.



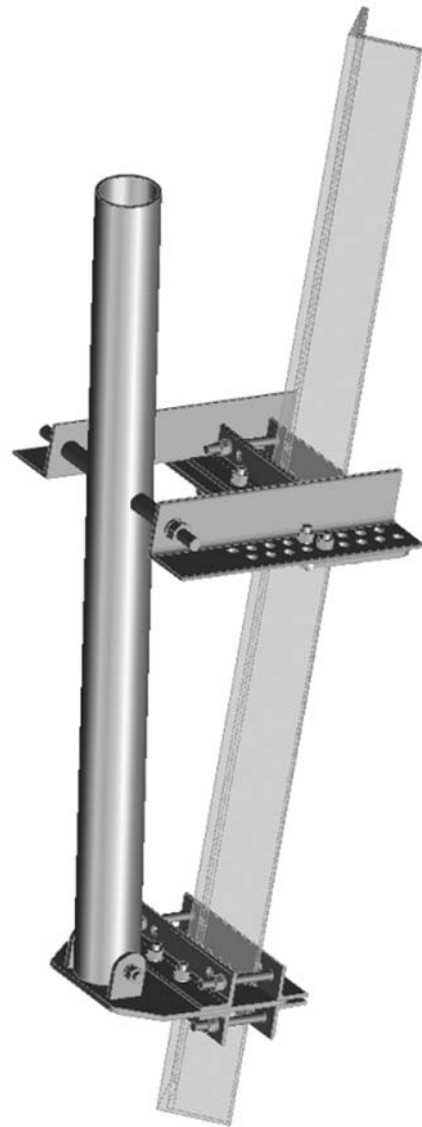
Product Number	Description	List Price
B2772	No Standoff, 4 ¹ / ₂ " x 60" Mounting Pipe	\$585.00
B2773	2' Standoff, 4 ¹ / ₂ " x 54" Mounting Pipe	\$775.00
B2774	3' Standoff, 4 ¹ / ₂ " x 54" Mounting Pipe	\$795.00

UNIVERSAL ADJUSTABLE SLOPE PIPE MOUNT

WITHOUT STANDOFF

Universal Adjustable Slope Pipe Mount will fit round legs from 2" to 8⁵/₈" OD and angle legs from 2¹/₂" to 6". It is also adjustable to fit tower leg slopes from zero to 15¹/₂ degrees. 4¹/₂" OD x 5' long mounting pipe provided.

This Pipe Mount is designed to support an 8' diameter antenna at a 100 m.p.h., 40 psf wind, or an antenna mounting frame with a maximum lateral load of 2.7 kips.



Product Number	Description	List Price
B2990	Universal Adjustable Slope Pipe Mount	\$365.00

ANTENNA SUPPORT STRUCTURES

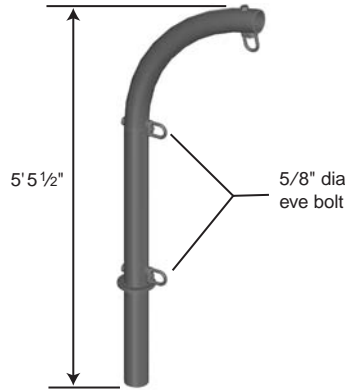
PIPES & PIPE MOUNTS

8.12

CURVED OUTRIGGER HOIST

Curved Outrigger Hoist is used for lifting antennas and equipment up onto tower structures. The Hoist, made of 3 1/2" OD pipe, slips inside a tower's 4 1/2" OD pipe mount and may be swiveled for positioning. The Hoist is rated for 800 lb loads.

Galvanized.

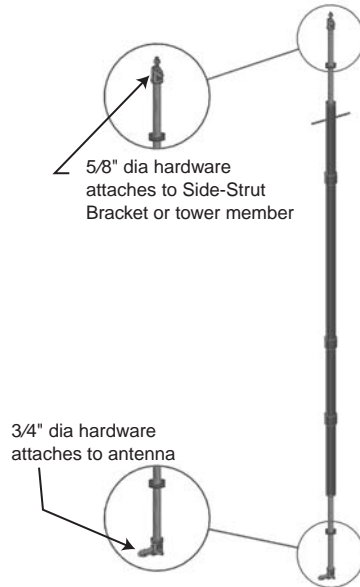


Product Number	Description	List Price
B1066	Curved Outrigger Hoist	\$238.00

ANTENNA SIDE STRUT

The Antenna Side Strut enables the precise setting of the azimuth for an antenna. The modular construction allows the length to be adjusted from 4' to 12'-6". At one end, the Antenna Side Strut has 3/4" diameter hardware for attachment to the antenna. The other end has 5/8" diameter hardware for attachment to a tower member or a Side-Strut Bracket (this page).

Aluminum.



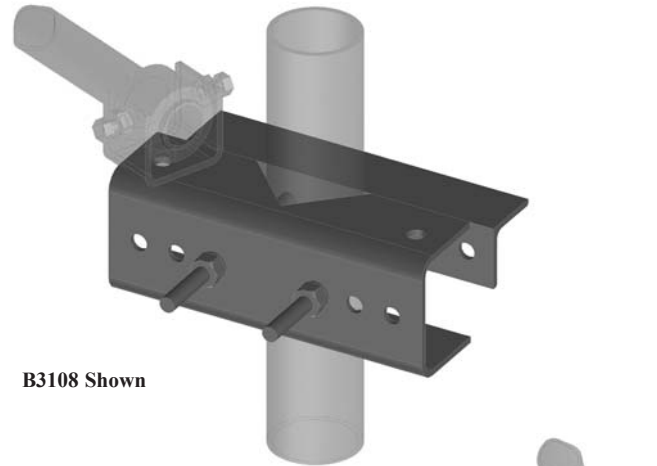
Product Number	Description	List Price
B1061	Antenna Side Strut	\$231.00

SIDE-STRUT BRACKET

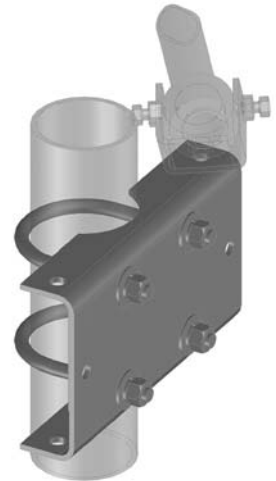
FOR PIPE & ANGLE LEG

The Side-Strut Bracket mounts to a tower leg and enables attachment of an antenna's side strut or the B1061 Antenna Side Strut (this page). Universal Side-Strut Bracket (B3108) to fit pipe legs from 1 3/4" to 8 5/8" OD or Angle Legs from 2" x 2" to 6" x 6" is also available. Hardware is included.

Galvanized.



B3108 Shown



B2098 Shown

Product Number	Description	List Price
B3108	1 3/4" - 8 5/8" OD pipe, or 2" x 2" - 6" x 6" angle	\$48.00
B2098	1 3/4" OD pipe	\$69.00
B992	2 7/8" OD pipe	\$69.00
B993	2 7/8" OD pipe	\$74.00
B994	3 1/2" OD pipe	\$79.00
B995	4" OD pipe	\$85.00
B996	4 1/2" OD pipe	\$87.00
B997	5 9/16" OD pipe	\$90.00
B998	6 5/8" OD pipe	\$95.00
B999	8 5/8" OD pipe	\$100.00
B1755	10 3/4" OD pipe	\$105.00
B1756	12 3/4" OD pipe	\$120.00

SIDE-STRUT SUPPORT SYSTEM FOR PIPE-LEG TOWER FACE

GENERAL DESCRIPTION

Side-Strut Support System products enable the attachment of an antennas side strut stabilizing rod on the face of a pipe-leg tower with a vertical face or with a face taper up to 20:1. The System is composed of three components and the individual products are selected based on the size of the pipe leg and the width of the tower face.

PIPE-LEG BRACKET KIT

FOR SIDE-STRUT SUPPORT SYSTEM

The Pipe-Leg Bracket Kits, for tower legs from 2⁷/₈" OD to 8⁵/₈" OD, provide support for a 2⁷/₈" or 4¹/₂" OD Face-Support Pipe that spans the face of the tower. The Kit includes two bracket units.

Galvanized.

Product Number	Description		List Price
B2107	2 ⁷ / ₈ "	2 ⁷ / ₈ "	\$150.00
B2108	3 ¹ / ₂ "	2 ⁷ / ₈ "	\$155.00
B1916	4 ¹ / ₂ "	2 ⁷ / ₈ "	\$160.00
B1917	5 ⁹ / ₁₆ "	2 ⁷ / ₈ "	\$165.00
B1918	6 ⁵ / ₈ "	2 ⁷ / ₈ "	\$170.00
B1929	8 ⁵ / ₈ "	2 ⁷ / ₈ "	\$175.00
B2180	4 ¹ / ₂ "	4 ¹ / ₂ "	\$180.00
B2181	5 ⁹ / ₁₆ "	4 ¹ / ₂ "	\$185.00
B2062	6 ⁵ / ₈ "	4 ¹ / ₂ "	\$190.00
B2182	8 ⁵ / ₈ "	4 ¹ / ₂ "	\$195.00

FACE-SUPPORT PIPE

FOR SIDE-STRUT SUPPORT SYSTEM

The Face-Support Pipe mounts to the Pipe-Leg Bracket Kit and spans the face of the tower to provide support for the B1915 or B2061 Side-Strut Bracket. Face Support Pipes are available to span tower face widths from 5'-9" up to 23'-9", respectively.

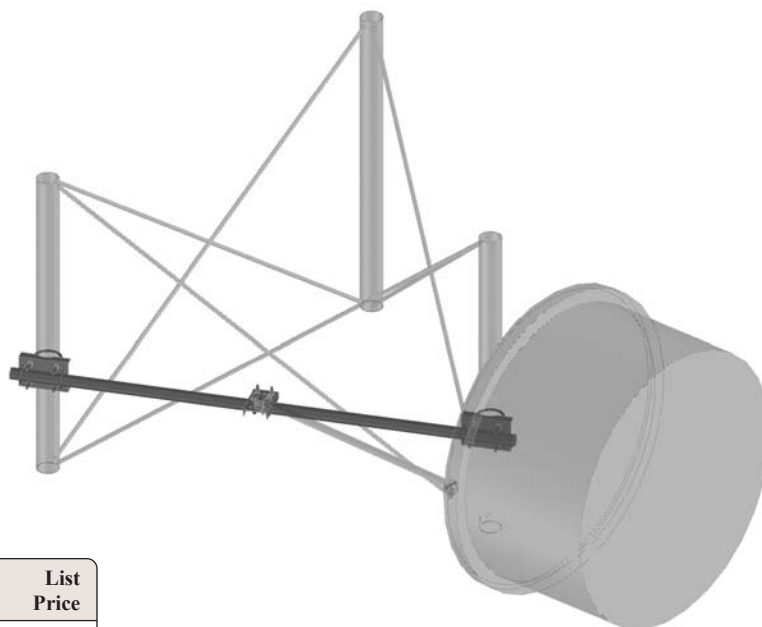
Galvanized.

Product Number	Pipe OD	Wall Thickness	Maximum Tower Face Width	List Price
B1462	2 ⁷ / ₈ "	Standard	5'-9"	\$38.00
B1855	2 ⁷ / ₈ "	Standard	8'-9"	\$55.00
B1919	2 ⁷ / ₈ "	Standard	11'-9"	\$76.00
B1930	2 ⁷ / ₈ "	Extra Strong	13'-9"	\$120.00
B2179	4 ¹ / ₂ "	Standard	15'-9"	\$145.00
B2178	4 ¹ / ₂ "	Standard	19'-9"	\$165.00
B2177	4 ¹ / ₂ "	Standard	23'-9"	\$185.00

SIDE-STRUT BRACKET

FOR SIDE-STRUT SUPPORT SYSTEM

The Side-Strut Bracket mounts to the Face-Support Pipe and provides for attachment of the antennas side-strut stabilizing rod. The Bracket is furnished with both an 1¹/₁₆" diameter and a 1³/₁₆" diameter hole.



Product Number	Description	List Price
B1915	Side-Strut Bracket for 2 ⁷ / ₈ " OD pipe	\$80.00
B2061	Side-Strut Bracket for 4 ¹ / ₂ " OD pipe	\$90.00

ANTENNA SUPPORT STRUCTURES

PIPES & PIPE MOUNTS

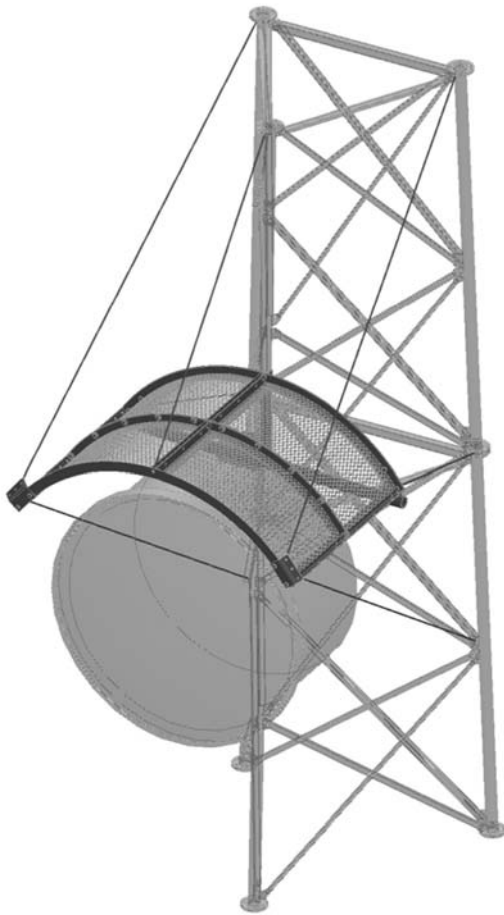
B.14

ANTENNA ICE SHIELD

The rugged Antenna Ice Shields are designed to prevent antenna damage from falling ice and are available for 4' to 15' diameter antennas.

Each Ice Shield mounts to the top of the mounting pipe or tower leg used for mounting the antenna. The Ice Shield is stabilized with the included 200' of $\frac{3}{8}$ " diameter E.H.S. guy strand and seven $\frac{5}{8}$ " diameter x 1' long jaw & eye turnbuckles and other hardware.

Galvanized.



Product Number	Description	List Price
99024	Ice Shield for 4' dia antenna	\$1,950.00
99019	Ice Shield for 6' dia antenna	\$2,420.00
99020	Ice Shield for 8' dia antenna	\$2,670.00
99021	Ice Shield for 10' dia antenna	\$2,900.00
99022	Ice Shield for 12' dia antenna	\$3,090.00
99027	Ice Shield for 15' dia antenna	\$3,215.00
B2287	Replacement Cable and Hardware Kit (fits all Ice Shield sizes)	\$1,200.00

PIPE MOUNT EXTENSION

FOR ICE SHIELD

The Pipe Mount Extension is used to extend a 4½" OD Antenna Pipe Mount by an additional 2'. The Pipe Mount Extension enables installation of an Antenna Ice Shield when the antennas pipe mount is too short. The Extension slips inside a 4½" OD pipe mount with standard wall thickness and is secured by the Ice Shields weight and stabilizing guy strands.

Galvanized.



Product Number	Description	List Price
B1935	Pipe Mount Extension	\$45.00