

BTS SUPPORT FRAME WITH OUTRIGGERS

FOR ERICSSON COMPACT RADIO CABINET

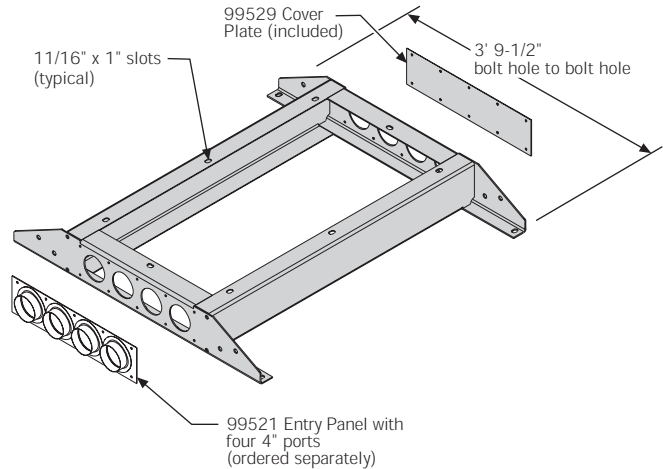
The BTS support Frame was designed for ground or rooftop installations of an Ericsson radio cabinet. The Frame matches the 4'-3 1/4" x 2'-4" dimensions of the radio cabinet and is 6 3/4" high.

The Frame is provided with four 4" diameter holes for the routing of the coax transmission lines. A solid Cover Plate, 99529, is included and is normally used on one end. An optional Entry Panel, 99521, with four 4" ports, is used on the other end. This Entry Panel enables the use of Boots (section 5) to provide a water-tight coax entry.

The BTS Support Frame is constructed from 11-gauge and 3/16" thick steel.

The 99520 Frame comes with outriggers that extend 9 3/4" at each corner to enhance stability. The BTS Support Frames can be bolted together end-to-end when multiple radio cabinets are being installed.

Hot-dip galvanized.



Product Number	Description	List Price
99520	BTS Support Frame with outriggers	\$295.00
99528	BTS Support Frame without outriggers	\$250.00
99521	Entry Panel, four 4" ports, (1x4 layout)	\$50.00
99529	Cover Plate (only)	\$10.00

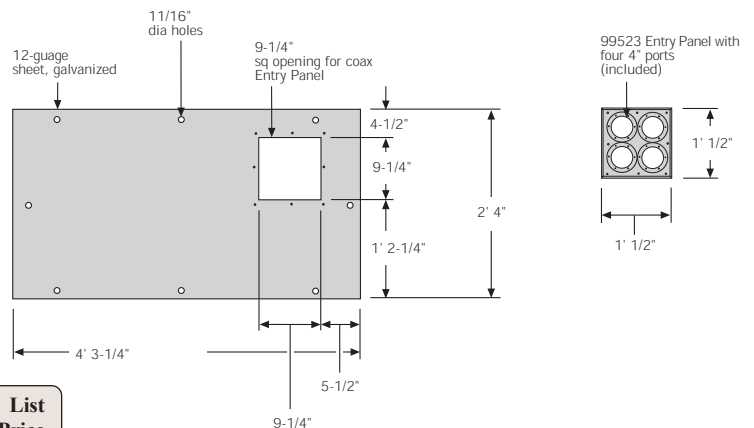
BTS BASE PLATE

WITH COAX ENTRY PORTS FOR ERICSSON COMPACT RADIO CABINET

The BTS Plate covers the bottom of an Ericsson Compact radio cabinet for elevated installations. The 4'-3 1/4" x 2'-4" BTS Plate has a 9 1/4" square opening used with the included 99523 Entry Panel for coax entrance to the radio cabinet. This Entry Panel, with four 4" ports (2 x 2 layout), enables the use of support Boots (section 5) to provide a water-tight coax entry.

The Plate is constructed with 12-gauge steel.

Hot-dip galvanized.



Product Number	Description	List Price
99522	BTS Base Plate with 99523 Entry Panel	\$115.00
99523	Entry Panel, four 4" ports (2 x 2 layout)	\$50.00

TRANSMISSION LINE SUPPORT SYSTEMS

RADIO CABINET BASE SUPPORTS

7.2

BTS BASE PLATE

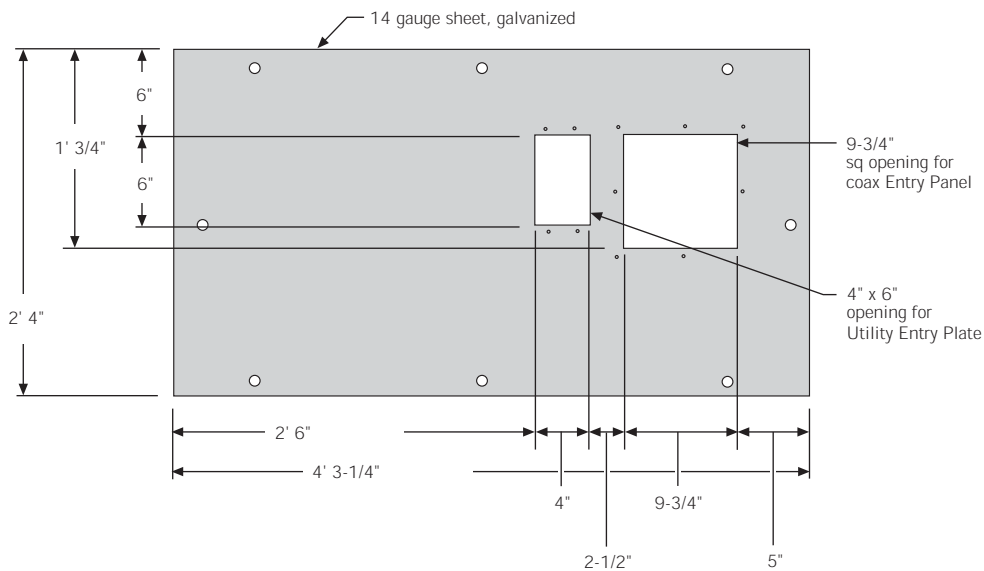
WITH COAX AND UTILITY ENTRY PORTS FOR ERICSSON COMPACT RADIO CABINET

These BTS Plates are similar to the previous 99522 BTS Base Plate and also include a second opening for entry of utility lines. Both the 99524 and 99525 BTS Base Plates have a 9³/₄" square opening used with an included 99523 Entry Panel for coax entry to the radio cabinet. This Entry Panel, with four 4" (2 x 2 layout), enables the use of support Boots (section 5) to provide a water-tight coax entry.

Both BTS Base Plates also have a 4" x 6" opening used with a Utility Entry Plate for utility line entry to the cabinet. The Utility Entry Plate with the 99524 provides two 1¹/₂" and two 2" diameter holes and with the 99525 provides four 2" diameter holes. Plugs are provided for unused holes.

The BTS Base Plate matches the 4'-3¹/₄" x 2'-4" radio cabinet dimensions and is used for elevated installations of the Compact radio cabinet. The Plate is constructed with 14-gauge steel.

Hot-dip galvanized.



Product Number	Description	List Price
99524	BTS Base Plate with 99523 Entry Panel & Utility entry with two 1 ¹ / ₂ " and two 2" dia holes	\$120.00
99525	BTS Base Plate with 99523 Entry Panel & Utility Entry with four 2" dia holes	\$120.00
99523	Entry Panel, four 4" ports (2 x 2 layout)	\$50.00