

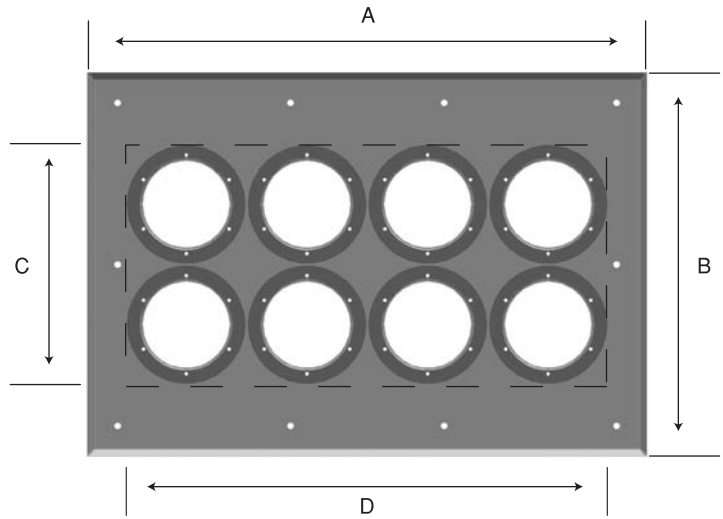
ENTRY PANEL INSTALLATION



Typical Panel Installation

LAYOUT GUIDE FOR ENTRY PANELS

The dimensional layout is typical for all Entry Panels and corresponds to the measurements shown in the product table.



ENTRY PANEL

WITH 4", 5", 6", OR 8" DIAMETER PORTS

Entry Panels, with 4", 5", 6", or 8" diameter ports, are designed for exterior wall or roof installation. Entry Panels are also used on interior walls when a finished appearance is desired. The aluminum Panels are powder-coated machinery-gray color and furnished with Sealing Caps and installation hardware, including #14 stainless steel screws, finishing washers, and plastic anchors.

Custom powder coating is available upon request.



ENTRY PANEL WITH 4" DIAMETER PORTS

Product Number	Ports	Port Layout	Dimensions <i>See Layout Guide</i>				List Price
			A	B	C	D	
B574	1	—	5"	5"	4"	4"	\$21.00
B220	1	—	7"	7"	4"	4"	\$21.00
B1448	2	1 x 2	1'-31/2"	91/2"	4"	10"	\$41.00
B1635	3	1 x 3	1'-8"	91/2"	4"	1'-3"	\$58.00
B1648	3	1 x 3	1'-6"	7"	4"	1'-3"	\$57.00
B575	4	1 x 4	2'-11/2"	91/2"	4"	1'-81/2"	\$74.00
B1650	4	2 x 2	11"	11"	91/2"	91/2"	\$74.00
B1199	4	2 x 2	1'-51/2"	1'-51/2"	11"	91/2"	\$74.00
B1477	6	1 x 6	3'-1/2"	91/2"	4"	2'-71/2"	\$96.00
B1449	6	2 x 3	1'-11"	1'-51/2"	91/2"	1'-3"	\$96.00
B576	8	2 x 4	2'-11/2"	1'-51/2"	91/2"	1'-81/2"	\$128.00
B1338	8	2 x 4	2'-31/2"	1'-51/2"	91/2"	1'-81/2"	\$128.00
B2049	9	1 x 9	4'-5"	91/2"	4"	4"	\$115.00
B2408	9	3 x 3	1'-11"	1'-11"	1'-3"	1'-3"	\$140.00
B1297	10	2 x 5	2'-7"	1'-51/2"	91/2"	2'-2"	\$159.00
B1335	10	2 x 5	2'-10"	1'-51/2"	91/2"	2'-2"	\$159.00
B1336	12	2 x 6	3'-31/2"	1'-51/2"	91/2"	2'-71/2"	\$184.00
B1118	12	3 x 4	2'-11/2"	2'-11/2"	1'-3"	1'-81/2"	\$184.00
B1334	12	3 x 4	2'-31/2"	2'-11/2"	1'-3"	1'-81/2"	\$184.00
B2035	14	2 x 7	3'-9"	1'-51/2"	91/2"	3'-1"	\$209.00
B2074	15	3 x 5	2'-10"	1'-11"	1'-3"	2'-2"	\$240.00
B1939	16	2 x 8	4'-21/2"	1'-51/2"	91/2"	3'-61/2"	\$233.00
B1447	16	4 x 4	2'-11/2"	2'-11/2"	1'-81/2"	1'-81/2"	\$233.00
B1333	18	3 x 6	3'-31/2"	2'-11/2"	1'-3"	2'-71/2"	\$257.00
B1861	20	4 x 5	2'-7"	2'-41/2"	1'-81/2"	2'-2"	\$281.00
B1340	24	4 x 6	3'-31/2"	2'-7"	1'-81/2"	2'-71/2"	\$328.00
B1940	36	6 x 6	3'-55/8"	3'-31/2"	2'-95/8"	2'-71/2"	\$470.00

TRANSMISSION LINE SUPPORT SYSTEMS

BUILDING ENTRIES

6.2

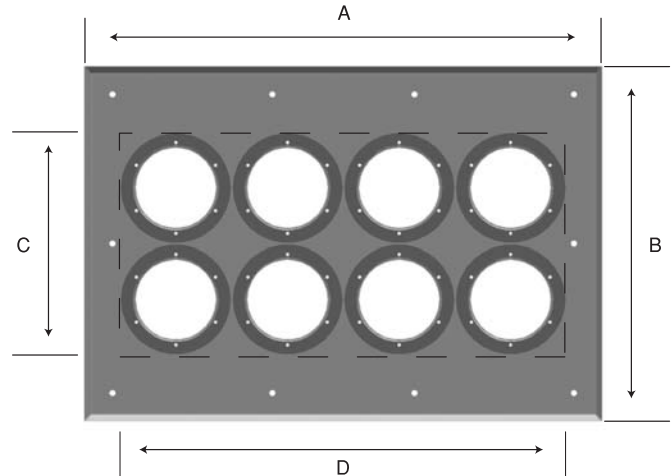
ENTRY PANEL WITH 5" DIAMETER PORTS

Product Number	Number of Ports	Port Layout	Entry Panel Dimensions <i>See Layout Guide</i>				List Price
			A	B	C	D	
B549	1	—	91/2"	91/2"	N/A	5"	\$27.00
B550	2	1 x 2	1'-51/2"	91/2"	7"	5"	\$47.00
B551	3	1 x 3	2'-11/2"	91/2"	7"	5"	\$63.00
B1905	4	1 x 4	2'-91/2"	91/2"	7"	5"	\$80.00
B552	4	2 x 2	1'-51/2"	1'-51/2"	7"	5"	\$80.00
B553	6	2 x 3	2'-11/2"	1'-51/2"	7"	5"	\$118.00
B1191	8	2 x 4	2'-91/2"	1'-51/2"	7"	5"	\$153.00
B1113	9	3 x 3	2'-11/2"	2'-11/2"	7"	5"	\$170.00
B1846	12	3 x 4	2'-91/2"	2'-11/2"	7"	5"	\$221.00

ENTRY PANEL WITH 6" DIAMETER PORTS

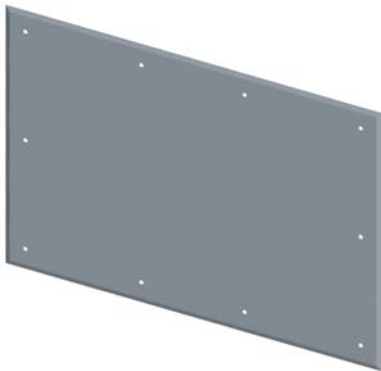
Product Number	Number of Ports	Port Layout	Entry Panel Dimensions <i>See Layout Guide</i>				List Price
			A	B	C	D	
B1694	1	—	8"	8"	N/A	6"	\$75.00
B1269	1	—	9 1/2"	9 1/2"	N/A	6"	\$75.00
B1864	4	1 x 4	2'-9 1/4"	10 3/8"	7 3/8"	6"	\$120.00
B1642	4	2 x 2	1'-6"	1'-6"	7 3/8"	6"	\$120.00

Entry Panel Layout Guide



BLANK ENTRY PANELS

As the newest addition to Valmont Microflect's extensive entry panel product line, the Blank Entry Panel enhances flexibility in installation and resource-saving options for pre-fabricated radio buildings, as well as other applications.



Product Number	Dimensions	List Price
B2916	17 1/2" x 25 1/2"	\$42.00
B2917	25 1/2" x 25 1/2"	\$60.00
B2918	25 1/2" x 39 1/2"	\$79.00

SEALING CAP

FOR ENTRY PANEL PORTS

Sealing Caps provide a watertight cover on the ports of Entry Panels. Sealing Caps are furnished on each port of an Entry Panel and may be replaced with Boots for an active port.

Additional Sealing Caps are available for each of the port sizes.



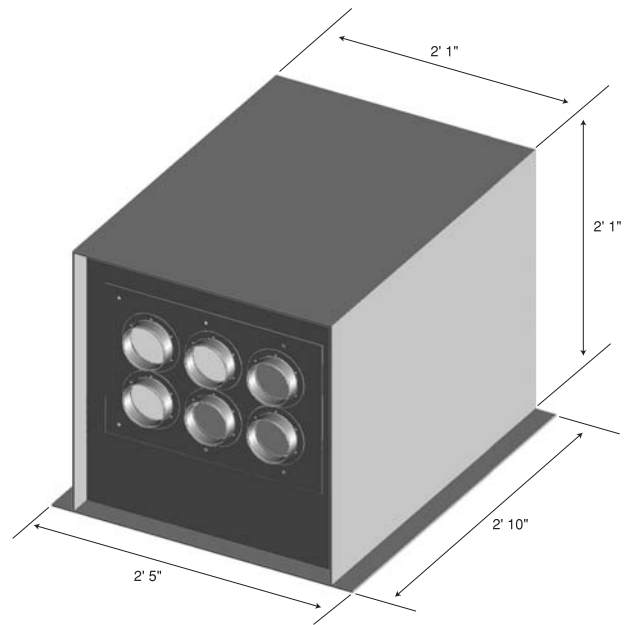
Product Number	Description	List Price
B267	4" ports	\$1.00
B268	5" ports	\$1.50
B1307	6" ports	\$7.00
B1308	8" ports	\$8.00

ROOFTOP ENTRY ENCLOSURE

Rooftop Entry Enclosures provide a means of routing transmission lines for rooftop antennas through the building roof. The 2'-1" high Enclosure is furnished with a six-port B1449 or nine-port B2408 Entry Panel on one side, which accepts 4" diameter Boots (page 5.2) for supporting and sealing the transmission lines. The Enclosure size accommodates a bending radius of up to 1'-8", which includes 1⁵/₈" coax transmission line.

Capacity of the Enclosure can be doubled by replacing the blank panel on the side opposite the Entry Panel, with a second Entry Panel.

The Enclosure, with a footprint of 2'-5" x 2'-10", is made of 16 gauge steel, powder-coated machinery-gray.



B1840 shown

Product Number	Description	List Price
B1840	6 4" Ports	\$695.00
B2084	9 4" Ports	\$730.00

TUBE ENTRY

WITH 4" OR 5" DIAMETER PORTS

Tube Entries provide a single port through a building's wall or roof and can be used with thin walls, such as in a fiberglass equipment building, or with walls up to 1'-8" thick. The Tube Entry is used for a small number of transmission line runs, either standing alone or adding on to an existing system.

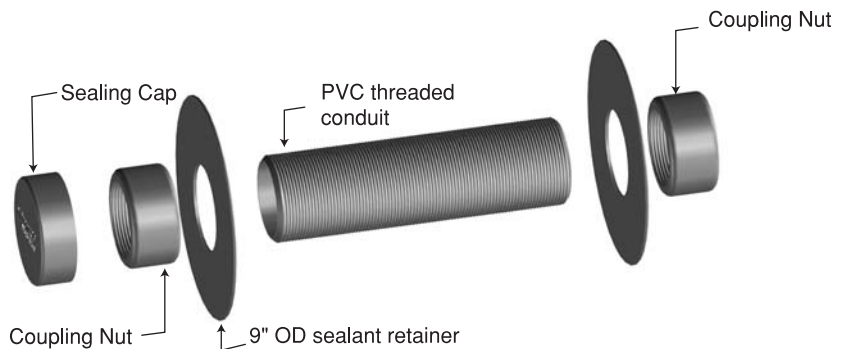
With a wall installation, B184 Sealing Tape (page 24.1) is recommended for sealing the outside diameter of the PVC conduit, as shown in the "Installation Procedure". With a roof installation, B193 Roofing Compound (page 24.2) is used for sealing.

A Boot (Section 5) is used on the exterior of the Tube Entry to weatherproof between the Entry and the transmission lines. A Boot can also be used on the interior to provide a finished appearance.

The Tube Entry includes threaded PVC conduit and aluminum retainers and nuts.

Entry includes:

- 1 - PVC threaded conduit
- 2 - Coupling nuts
- 2 - Sealant retainers
- 1 - Sealing Cap
- 1 - Clamp (not shown)



Product Number	Port Diameter	PVC Conduit Length	Maximum Wall Thickness	List Price
B101	4"	1'	8"	\$63.00
B241	4"	1'-6"	1'-2"	\$70.00
B242	4"	2'	1'-8"	\$75.00
B518	5"	1'	8"	\$75.00
B519	5"	1'-6"	1'-2"	\$80.00
B520	5"	2'	1'-8"	\$85.00

TRANSMISSION LINE SUPPORT SYSTEMS

BUILDING ENTRIES

6.4

COAX/ELECTRICAL ENTRY

The Coax/Electrical Entry provides a single port through a building wall for a small transmission line or cable. Entry uses 1 1/4" threaded conduit and can be used with walls up to 9" thick. When combined with a B418 or B419 Coax Entry Connector, the Entry provides a watertight installation for a 1/2" or 7/8" coax transmission line.



Coax/Electrical Entry includes:

- 1 - Threaded conduit, 1 1/4"
- 2 - Coupling nuts
- 2 - Sealant retainer
- 2 - Reducers, 1 1/4" to 1"

Product Number	Description	List Price
B532	Coax/Electrical Entry	\$33.00

ENTRY CONNECTOR

FOR 7/8" COAX

B418 Entry Connector provides a watertight installation for 1/2" air or foam coax transmission line used through the B532 Coax/Electrical Entry. Connector accommodates diameters from 1/2" to 5/8".

B419 Entry Connector provides a watertight installation for a 7/8" coax transmission line used through the B532 Coax/Electrical Entry. Connector accommodates diameters from 1 1/16" to 1 3/16".



Product Number	Description	List Price
B418	Entry Connector for 1/2" coax	\$7.00
B419	Entry Connector for 7/8" coax	\$14.00