

CUSHION HANGER

GENERAL DESCRIPTION

Cushion Hangers are used to support vertical and horizontal runs of coax and waveguide, and are available in various sizes (pages 4.2-4.3). They are easily attached to any tower or horizontal transmission line support with $\frac{3}{8}$ " diameter hardware. The clamp is indexed to prevent over tightening, which assures that the coax or waveguide is firmly gripped without causing damage. Material is unaffected by the sunlight, ozone, or extremes in temperatures ranging from -60° F to $+200^{\circ}$ F.

Cushion Hanger material meets specifications ASTM-D2000 and SAEJ200.

Cushion Hanger assembly includes:

- 1 - Cushion
- 1 - Clamp
- 1 - Clamp Head
- 5 assemblies per package

Clamp and Clamp Heads, included with Cushion Hangers, may be purchased separately if needed.



Multiple hole cushions available for some coax and waveguide sizes.

MISCELLANEOUS CUSHION HANGER

Miscellaneous Cushion Hangers with blank cushion may be field punched for custom fit.

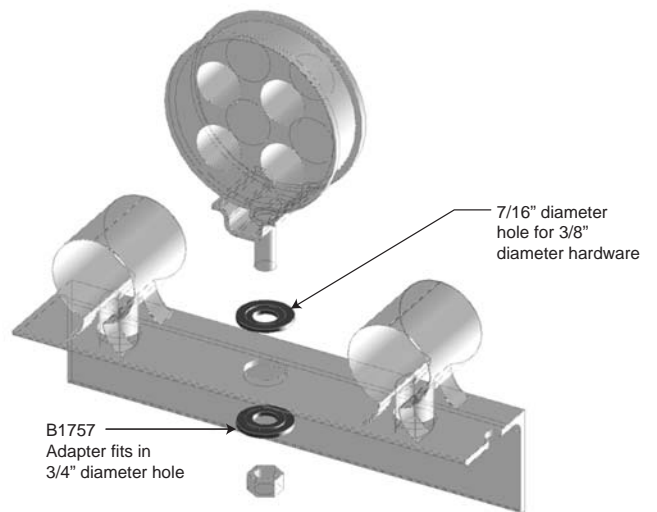


Product Number	Description	List Price
B578	Cushion Hanger with blank cushion	\$35.00

ADAPTER

FOR 3/8" DIAMETER HARDWARE

The B1757 Adapter converts $\frac{3}{4}$ " holes to enable the use of $\frac{3}{8}$ " diameter hardware. The Adapter, used with support products furnished with $\frac{3}{4}$ " holes for Snap-in Hangers, enables the use of $\frac{3}{8}$ " diameter hardware to support Cushion Hangers. Two B1757 Adapters are required to convert each $\frac{3}{4}$ " hole. Quantity 10 per package.



CLAMP HEAD

FOR CUSHION HANGER

This stainless steel Clamp Head has $\frac{1}{16}$ " x $\frac{5}{8}$ " long slots and a $\frac{13}{32}$ " diameter mounting hole for use with $\frac{3}{8}$ " diameter hardware. Quantity 10 per package.



Product Number	Description	List Price
B399	Clamp Head	\$3.00

Product Number	Description	List Price
B1757	Adapter for $\frac{3}{8}$ " dia hardware	\$2.50

TRANSMISSION LINE SUPPORT SYSTEMS

TRANSMISSION LINE HANGERS

4.2

CUSHION HANGERS

FOR COAX & CONDUIT

Quantity 5 per package.

Product Number	Holes in Cushion	Hole Dia	For Coax / Conduit Size*	List Price
B1666	1	0.195"	LMR®-200 coax	\$35.00
B1667	2	0.195"	LMR®-200 coax	\$35.00
B1668	3	0.195"	LMR®-200 coax	\$35.00
B1669	4	0.195"	LMR®-200 coax	\$35.00
B1670	1	0.240"	LMR®-240 coax	\$35.00
B1671	2	0.240"	LMR®-240 coax	\$35.00
B1672	3	0.240"	LMR®-240 coax	\$35.00
B1673	4	0.240"	LMR®-240 coax	\$35.00
B1173	1	0.295"	1/4" flex coax	\$35.00
B1174	3	0.295"	1/4" flex coax	\$35.00
B1601	2	0.332"	3/8" round	\$35.00
B1178	1	0.410"	LMR®-400, 3/8" flex, or RG-11/U	\$35.00
B1674	2	0.405"	LMR®-400, 3/8" flex, or RG-11/U	\$35.00
B1675	3	0.405"	LMR®-400, 3/8" flex, or RG-11/U	\$35.00
B1676	4	0.405"	LMR®-400, 3/8" flex, or RG-11/U	\$35.00
B1168	1	0.440"	3/8" coax	\$35.00
B1169	3	0.440"	3/8" coax	\$35.00
B1609	4	0.440"	3/8" coax	\$35.00
B1677	1	0.500"	LMR®-500 coax	\$35.00
B1678	2	0.500"	LMR®-500 coax	\$35.00
B1679	3	0.500"	LMR®-500 coax	\$35.00
B1680	4	0.500"	LMR®-500 coax	\$35.00
B1346	1	0.520"	1/2" flex coax	\$35.00
B1345	3	0.520"	1/2" flex coax	\$35.00
B1533	4	0.520"	1/2" flex coax	\$35.00
B1167	1	0.580"	1/2" air coax	\$35.00
B540	3	0.580"	1/2" air coax	\$35.00
B1681	1	0.590"	LMR®-600 coax	\$35.00
B1682	2	0.590"	LMR®-600 coax	\$35.00
B1683	3	0.590"	LMR®-600 coax	\$35.00
B1684	4	0.590"	LMR®-600 coax	\$35.00
B1126	1	0.630"	1/2" foam coax	\$35.00
B1189	2	0.630"	1/2" foam coax	\$35.00
B1112	3	0.630"	1/2" foam coax	\$35.00
B1402	4	0.630"	1/2" foam coax	\$35.00
B1603	9	0.630"	1/2" foam coax	\$35.00
B1339	3	0.686"	11/16" round	\$35.00
B587	1	0.770"	3/4" round	\$35.00
B1397	2	0.770"	3/4" round	\$35.00
B1459	1	0.840"	1/2" rigid conduit	\$35.00
B1685	1	0.870"	LMR®-900 & 3/8" coax	\$35.00
B1686	2	0.870"	LMR®-900 & 3/8" coax	\$35.00
B1687	3	0.870"	LMR®-900 & 3/8" coax	\$35.00
B1688	4	0.870"	LMR®-900 & 3/8" coax	\$35.00
B1176	1	0.880"	RG-17/U	\$35.00
B1331	3	0.880"	RG-17/U	\$35.00
B1460	1	1.050"	3/4" conduit	\$35.00
B537	1	1.110"	7/8" coax	\$35.00
B1193	2	1.110"	7/8" coax	\$35.00
B1151	3	1.110"	7/8" coax	\$35.00
B1386	4	1.110"	7/8" coax	\$35.00
B1689	1	1.200"	LMR®-1200 coax	\$35.00
B1690	2	1.200"	LMR®-1200 coax	\$35.00
B1691	3	1.200"	LMR®-1200 coax	\$35.00
B1398	1	1.315"	1" rigid conduit	\$35.00
B1152	1	1.560"	1 1/4" coax	\$35.00
B1692	1	1.670"	LMR®-1700 coax	\$35.00
B1399	1	1.900"	1 1/2" rigid conduit	\$35.00
B535	1	2.000"	1 1/2" coax	\$35.00
B1262	1	2.375"	2 1/2" coax or 2" rigid conduit	\$35.00
B1463	1	2.875"	2 1/2" rigid conduit	\$35.00
B1172	1	3.000"	3" coax	\$35.00

*For coax manufacturers' cross-reference, see page 4.3.

CUSHION HANGERS

FOR ELLIPTICAL WAVEGUIDE

Quantity 5 per package.

Product Number	Holes in Cushion	Andrew	For Waveguide Size Cablewave	Gabriel	List Price
B1638	1	EW240	—	—	\$35.00
B1165	1	EW220	—	—	\$35.00
B580	1	EW180 & EWP180	WE190 & WE191	GE190	\$35.00
B1296	2	EW180 & EWP180	WE190 & WE191	GE190	\$35.00
B1278	3	EW180 & EWP180	WE190 & WE191	GE190	\$35.00
B583	1	EW132 & EWP132	WE150	—	\$35.00
B2263	2	EW132 & EWP132	WE150	—	\$35.00
B539	1	EW122 & EW127	WE122 & WE130	GE130	\$35.00
B1856	2	EW122 & EW127	WE122 & WE130	GE130	\$35.00
B2089	3	EW122 & EW127	—	—	\$35.00
B541	1	EW107	—	—	\$35.00
B543	1	EW90 & EWP90	—	—	\$35.00
B1279	3	EW90 & EWP90	—	—	\$35.00
B1231	1	EW85	WE108	GE108	\$35.00
B1179	1	—	WE78	GE78	\$35.00
B1250	2	—	WE78	GE78	\$35.00
B548	1	EW77 & EWP77	—	—	\$35.00
B1373	2	EW77 & EWP77	—	—	\$35.00
B536	1	EW71	—	—	\$35.00
B1171	1	—	WE71	GE71	\$35.00
B1166	1	EW64 & EWP64	WE70	GE70	\$35.00
B544	1	EW63 & EWP63	WE65	GE65	\$35.00
B1293	2	EW63 & EWP63	WE65	GE65	\$35.00
B564	1	—	WE60	GE60	\$35.00
B538	1	EW59	WE59	—	\$35.00
B562	1	EW56	—	—	\$35.00
B542	1	EW52 & EWP52	WE61	GE61	\$35.00
B1263	1	—	WE46	GE46	\$35.00
B534	1	EW44 & EWP44	—	—	\$35.00
B1388	1	EW43	—	—	\$35.00
B533	1	EW37 & EWP37	—	—	\$35.00
B1170	1	—	WE37	GE37	\$35.00
B1127	1	EW34 & EWP34	—	—	\$35.00

CUSHION HANGERS

FOR RECTANGULAR WAVEGUIDE

Quantity 5 per package.

Product Number	For Waveguide Size			List Price
	Andrew	Cablewave	Gabriel	
B1877	WR42 flex	WR42 flex	WR42 flex	\$35.00
B577	WR42	WR42	WR42	\$35.00
B579	WR51	WR51	WR51	\$35.00
B1175	WR62	WR62	WR62	\$35.00
B561	WR75	WR75	WR75	\$35.00
B1699	WR90 flex	WR90 flex	WR90 flex	\$35.00
B557	WR90	WR90	WR90	\$35.00
B560	WR112	WR112	WR112	\$35.00
B1701	WR137 flex	WR137 flex	WR137 flex	\$35.00
B559	WR137	WR137	WR137	\$35.00
B558	WR159	WR159	WR159	\$35.00
B353	WR187	WR187	WR187	\$35.00
B339	WR229	WR229	WR229	\$35.00

CUSHION HANGERS

FOR MIXED WAVEGUIDE & COAX SIZES

Quantity 5 per package.

Product Number	Holes in Cushion	Hole Diameters	For Coax Waveguide Size	List Price
B1972	1 2	0.240" 0.520"	1/4" coax & 1/2" flex coax	\$35.00
B1575	2 2	0.323" 0.394"	—	\$35.00
B1572	2 2 2	0.327" 0.406" 0.543"	—	\$35.00
B1611	2 1	0.440" 0.625"	3/8" coax & 3/8" round	\$35.00
B1446	1 1	0.528" 1.110"	4/0 ground wire & 7/8" coax	\$35.00
B1341	1 2	0.630" 1.110"	1/2" foam coax & 7/8" coax	\$35.00
B1716	1 1	0.630" 1.560"	1/2" foam coax & 1 1/4" coax	\$35.00
B1758	1 1	0.630" 2.000"	1/2" foam coax & 1 3/8" coax	\$35.00
B1251	2 1	0.630" 1.110"	1/2" foam coax & 7/8" coax	\$35.00
B1532	3 1	0.630" 1.110"	1/2" foam coax & 7/8" coax	\$35.00
B1962	3 2	0.630" 1.110"	1/2" foam coax & 7/8" coax	\$35.00
B1374	1 1	0.770" 1.110"	3/4" round & 7/8" coax	\$35.00
B2242	2 1	1.560" 2.000"	1 1/4" coax & 1-3/8" coax	\$35.00
B1466	1 1	1.110" —	7/8" coax & EW63 waveguide	\$35.00
B1541	1 1	— —	EW90 waveguide & EW63 waveguide	\$35.00
B2046	2 1	.520" .332"	1/2" FSJ4 Super Flex RG6	\$35.00

COAX MANUFACTURERS' CROSS REFERENCE

COAX TRANSMISSION LINES

Coax Model	Nominal Size	Cushion Hanger Number			
		1 hole	2 hole	3 hole	4 hole
Amphenol					
SFC1-50J	1/4" flex	B1173	—	B1174	—
SFC2-50J	3/8" flex	B1178	B1674	B1675	B1676
SFC4-50J	1/2" flex	B1346	—	B1345	B1533
AFC4-50J	1/2" foam	B1126	B1189	B1112	B1402
AFC5-50J	3/8" foam	B537	B1193	B1151	B1386
Andrew					
FSJ1-50A	1/4" flex	B1173	—	B1174	—
FSJ2-50	3/8" flex	B1178	B1674	B1675	B1676
LDF2-50	3/8"	B1168	B2043	B1169	B1609
FSJ4-50B	1/2" flex	B1346	—	B1345	B1533
HJ4-50	1/2" air	B1167	—	B540	—
LDF4-50A	1/2" foam	B1126	B1189	B1112	B1402
LDF4-75A	1/2" foam	B1126	B1189	B1112	B1402
RXL4-1A	1/2" foam	B1126	B1189	B1112	B1402
HJ5-50	3/8" air	B537	B1193	B1151	B1386

COAX MANUFACTURERS' CROSS REFERENCE

COAX TRANSMISSION LINES CONT'D

Coax Model	Nominal Size	Cushion Hanger Number			
		1 hole	2 hole	3 hole	4 hole
LDF5-50A	7/8" foam	B537	B1193	B1151	B1386
RXL5-1	7/8" foam	B537	B1193	B1151	B1386
LDF6-50	1 1/4"	B1152	—	—	—
LDF7-50A	1 1/2"	B535	—	—	—
HJ7-50A	1 1/2"	B535	—	—	—
HJ12-50	2 1/4"	B1262	—	—	—
HJ8-50B	3"	B1172	—	—	—
Radio Frequency Systems (RFS)					
SCF14-50J	1/4" flex	B1173	—	B1174	—
LCF38-50J	3/8"	B1168	—	B1169	B1609
FXA12-50J	1/2" flex	B1346	—	B1345	B1533
LCF12-50J	1/2" foam	B1126	B1189	B1112	B1402
HCC12-50J	1/2" air	B1167	—	B540	—
LCF78-50J	7/8" foam	B537	B1193	B1151	B1386
HCC78-50J	7/8" air	B537	B1193	B1151	B1386
LCF114-50J	1 1/4"	B1152	—	—	—
LCF158-50J	1 3/8" foam	B535	—	—	—
HCC158-50J	1 3/8" air	B535	—	—	—
HCC300-50J	3"	B1172	—	—	—
CommScope					
CR 50 396PE	3/8" foam	B1168	B2043	B1169	B1609
CR 50 540PE	1/2" foam	B1126	B1189	B1112	B1402
CR 50 1070PE	7/8" foam	B1689	B1690	B1691	—
CR 50 1873PE	1 1/8" foam	B535	—	—	—
Decibel					
DBC014X5P	1/4" super flex	B1173	—	B1174	—
DBC012F5P	1/2" foam	B1126	B1189	B1112	B1402
DBC012A5P	1/2" air	B1167	—	B540	—
DBC012X5P	1/2" super flex	B1346	—	B1345	B1533
DBC078F5P	7/8" foam	B537	B1193	B1151	B1386
DBC078A5P	7/8" air	B537	B1193	B1151	B1386
DBC114F5P	1 1/4" foam	B1152	—	—	—
DBC158F5P	1 3/8" foam	B535	—	—	—
DBC158A5P	1 3/8" air	B535	—	—	—
Eupen					
5062	1/4" foam	B1178	B1674	B1675	B1676
5088	3/8" foam	B1168	B2043	B1169	B1609
5128	1/2" foam	B1126	B1189	B1112	B1402
5092	1/2" foam HIFLEX	B1346	—	B1345	B1533
5228	7/8" foam	B537	B1193	B1151	B1386
5328GL	1 1/4" foam	B1152	—	—	—
5438	1 3/8" foam	B535	—	—	—
Gabriel Electronics					
SLF-14	1/4" flex	B1173	—	B1174	—
LCC-38	3/8" foam	B1168	—	B1169	B1609
SLF-12	1/2" flex	B1346	—	B1345	B1533
GCC-12	1/2" air	B1167	—	B540	—
LLF-12	1/2" foam	B1126	B1189	B1112	B1402
GCA-78	7/8" air	B537	B1193	B1151	B1386
LLF-78	7/8" foam	B537	B1193	B1151	B1386
LLF-114	1 1/4"	B1152	—	—	—
GCA-158	1 3/8" air	B535	—	—	—
LLF-158	1 3/8" foam	B535	—	—	—
GCA-214	2 1/4"	B1262	—	—	—
LCC-58	5/8" foam	B1685	B1686	B1687	B1688
NK Cables					
RF 1/2"-50	1/2" foam	B1126	B1189	B1112	B1402
RF 7/8"-50	7/8" foam	B537	B1193	B1151	B1386
RF 1-1/4"-50	1 1/4" foam	B1152	—	—	—
RF 1-5/8"-50	1 5/8" foam	B535	—	—	—
RF 2-1/4"-50	2 1/4" foam	B1262	—	—	—
RFF 1/4"-50	1/4" flex	B1173	—	B1174	—
RFF 3/8"-50	3/8" flex	B1178	B1674	B1675	B1676

Continued on Next Page

TRANSMISSION LINE SUPPORT SYSTEMS

TRANSMISSION LINE HANGERS

4.4

COAX MANUFACTURERS' CROSS REFERENCE

COAX TRANSMISSION LINES CONT'D

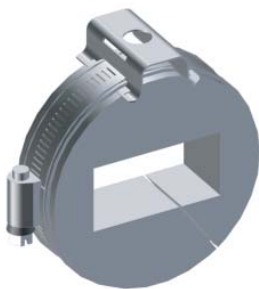
Coax Model	Nominal Size	Cushion Hanger Number			
		1 hole	2 hole	3 hole	4 hole
RFF 1/2"-50	1/2" flex	B1346	—	B1345	B1533
RFF 7/8"-50	7/8" flex	B1460	—	—	—
RFX 1/2"-50	1/2" foam	B1126	B1189	B1112	B1402
RFX 7/8"-50	7/8" foam	B537	B1193	B1151	B1386
RFX 1-1/4"-50	1 1/4" foam	B1152	—	—	—
RFX 1-5/8"-50	1 5/8" foam	B535	—	—	—
RFXT 5/8"-50	5/8" foam	B1685	B1686	B1687	B1688
Scala Electronics					
RFF-1/2	1/2" superflex	B1346	—	B1345	B1533
RF-1/2	1/2" flex	B1126	B1189	B1112	B1402
RFF-7/8	7/8" superflex	B1460	—	—	—
RF-7/8	7/8" flex	B537	B1193	B1151	B1386
RF-1-1/4	1 1/4" flex	B1152	—	—	—
RF-1-5/8	1 5/8" flex	B535	—	—	—
Times Microwave Systems					
LMR®-200	0.20"	B1666	B1667	B1668	B1669
LMR®-240	0.24"	B1670	B1671	B1672	B1673
LMR®-400	0.40"	B1178	B1674	B1675	B1676
LMR®-500	0.50"	B1677	B1678	B1679	B1680
LMR®-600	0.60"	B1681	B1682	B1683	B1684
LMR®-900	0.90"	B1685	B1686	B1687	B1688

Coax Model	Nominal Size	Cushion Hanger Number			
		1 hole	2 hole	3 hole	4 hole
LMR®-1200	1.20"	B1689	B1690	B1691	—
LMR®-1700	1.70"	B1692	—	—	—
Trilogy					
AT-0500J-50	1/2"	B1681	B1682	B1683	B1684
RMC2-50-500J	1/2"	B1681	B1682	B1683	B1684
RMC2-75-500J	1/2"	B1681	B1682	B1683	B1684
AT-0750J-50	5/8"	B1459	—	—	—
RMC2-50-750J	5/8"	B1459	—	—	—
RMC2-75-750J	5/8"	B1459	—	—	—
AT-1000J-50	7/8"	B537	B1193	B1151	B1386
RMC2-50-1000J	7/8"	B537	B1193	B1151	B1386
RMC2-75-1000J	7/8"	B537	B1193	B1151	B1386
AT-1875-50	1 3/8"	B535	—	—	—
Wireless Solutions					
W0250	1/4" foam	B1178	B1674	B1675	B1676
W0375	3/8" foam	B1168	B2043	B1169	B1609
W0500HF	1/2" hi-flex	B1346	—	B1345	B1533
W0500	1/2" foam	B1126	B1189	B1112	B1402
W0875	7/8" foam	B537	B1193	B1151	B1386
W1250	1 1/4" foam	B1152	—	—	—
W1625	1 3/8" foam	B1126	—	—	—

LARGE CUSHION HANGER

FOR COAX & WAVEGUIDE

Assembly includes cushion, indexed clamp, and clamp head.



5" Dia Cushion	6" Dia Cushion	List Price	Holes in Cushion	Hole Diameter	For Coax / Waveguide Size
—	B1344	\$32.00	4	1.110"	7/8" coax
B1400	—	\$29.00	2	1.560"	1 1/4" coax
B1664	—	\$29.00	3	1.560"	1 1/4" coax
B1566	—	\$29.00	4	1.560"	1 1/4" coax
B1790	—	\$29.00	2	2.000"	1 3/8" coax
—	B1465	\$32.00	3	2.000"	1 3/8" coax
B1303	—	\$29.00	1	3.500"	3 1/2" coax
—	B1453	\$32.00	1	—	EW20 waveguide
B2184	—	\$29.00	1	—	GE30 & WE30
B1270	B1264	\$29.00/\$32.00	1	—	WR284 waveguide
B1712	—	\$29.00	1	—	WR340 waveguide
—	B1265	\$32.00	1	—	RG-387/U waveguide
—	B1342	\$32.00	1	—	WR430 waveguide

SNAP-IN HANGER

FOR COAX TRANSMISSION LINE

Snap-In Hangers are available for coax transmission lines in sizes from 1/2" to 2 1/4". They allow coax to be quickly secured to a supporting structure. Snap-In Hangers are used with various support products found in Vertical Transmission Line Supports, Section 1, and Rooftop Bridge Kits, Section 3.

Quantity - 10 per package.



Product Number	Description	List Price
B1559	Snap-In Hanger for 1/2" coax	\$18.30
B1560	Snap-In Hanger for 7/8" coax	\$22.25
B1561	Snap-In Hanger for 1 1/4" coax	\$22.75
B1562	Snap-In Hanger for 1 3/8" coax	\$23.50
B1914	Snap-In Hanger for 2 1/4" coax	\$43.00

BUTTERFLY HANGER

Butterfly Hangers may be mounted directly to tower members, Angle-Leg Support Clamps, Pipe-Leg Support Clamps, Standoff Kits and Cluster Brackets (all in section 1) with 3/8" diameter hardware. Hangers may also be mounted to round members with Multipurpose Adjustable Clamps (page 23.13). Hangers are available for coax transmission lines in sizes from 1/2" to 3" and waveguide transmission lines EW220 to EW34. Made from stainless steel, a slotted screw and nut are included for tightening. Mounting hardware ordered separately. Quantity - 10 per package.

Product Number	Description	List Price
B2115	Fits 1/2" foam & air coax, EW180 & EW220	\$11.75
B2116	Fits 3/8" air coax, EW127 & EW132	\$20.00
B2117	Fits 7/8" foam & air coax, EW85 & EW90	\$15.00
B2118	Fits 1 1/4" foam coax & EW64	\$15.00
B2119	Fits 1 3/8" foam & air coax	\$15.00
B2120	Fits 2 1/4" air coax & EW37	\$23.25
B2121	Fits 3" air coax & EW77	\$20.00
B2122	Fits EW63	\$20.00
B2123	Fits EW52	\$20.00
B2124	Fits EW43	\$20.00
B2144	Fits EW34	\$20.00



HOISTING GRIP

FOR COAX TRANSMISSION LINE

Hoisting Grips are used to raise transmission lines up a tower and are available in either a slip-on style or a lace-up style, which includes the lacing rod. The Hoisting Grips are used at 200' intervals and may be left in place on the tower.



Lace-Up Style

Product Number	Circumference Range	Fits Transmission Line Coax	Elliptical	List Price
B1729L	1.57 - 1.92	1/2"	EW240 & EW220	\$15.00
B1730L	3.14 - 3.90	3/4"	EW90 & EW85	\$25.00
B1731L	4.71 - 5.47	1 1/4"	EW64	\$30.00
B1732L	6.28 - 7.82	1 3/4" & 2 1/4"	EW43, EW37 & EW63	\$35.00



Slip-On Style

Product Number	Circumference Range	Fits Transmission Line Coax	Elliptical	List Price
B1729S	1.67 - 2.29	1/2"	EW220 & EW180	\$11.00
B1730S	3.14 - 3.90	3/4"	EW90 & EW85	\$14.00
B1731S	4.71 - 5.47	1 1/4"	EW64	\$22.00
B1732S	6.28 - 7.82	1 3/4" & 2 1/4"	EW43, EW37	\$26.00

TRANSMISSION LINE SUPPORT SYSTEMS

TRANSMISSION LINE HANGERS

4.6

COAX BLOCK

FOR TRANSMISSION LINE SUPPORT

Coax Blocks are a compact and economical means of supporting coax transmission lines. Installation and maintenance of coax lines is simplified over other block designs, through the use of a single 1/2" diameter support rod. Coax Blocks, supporting four runs of either 7/8" coax or 1 5/8" coax, may be stacked on a single threaded rod for support of up to 12 vertical runs or 16 horizontal runs.

The rugged Coax Blocks are made of a durable, UV resistant PVC material that withstands extreme weather conditions.

HARDWARE KIT

FOR COAX BLOCKS

Hardware Kits for assembling Coax Blocks consist of a stainless steel 1/2" diameter threaded rod, nuts, and washers. The Kits vary by the length of the threaded rod, which enables the Coax Blocks to be mounted in single, double, triple, or quad stacks. Quad stacks should only be used for support of horizontal runs. Coax Blocks for 7/8" and 1 5/8" coax may be intermixed in one stack, providing versatility and greater installation economy.

*Quad stacks of Coax Block are only used to support horizontal runs.

Product Number	Support for Coax Lines	Length	Width	List Price
B1760	Four 7/8"	6 5/8"	2 5/8"	\$6.50
B1762	Four 1 5/8"	10 5/16"	4 5/8"	\$9.50

Product Number	For Stacks of 7/8" Coax Blocks	For Stacks of 1 5/8" Coax Blocks	Length of 1/2" Dia Threaded Rod	List Price
B1763	single	—	6"	\$2.85
B1764	double	single	9"	\$3.45
B1765	triple	—	1'	\$3.75
B1766	*quad	double	1' 3"	\$4.05
B1767	—	triple	1' 8"	\$4.45
B1768	—	*quad	2'	\$4.80

