

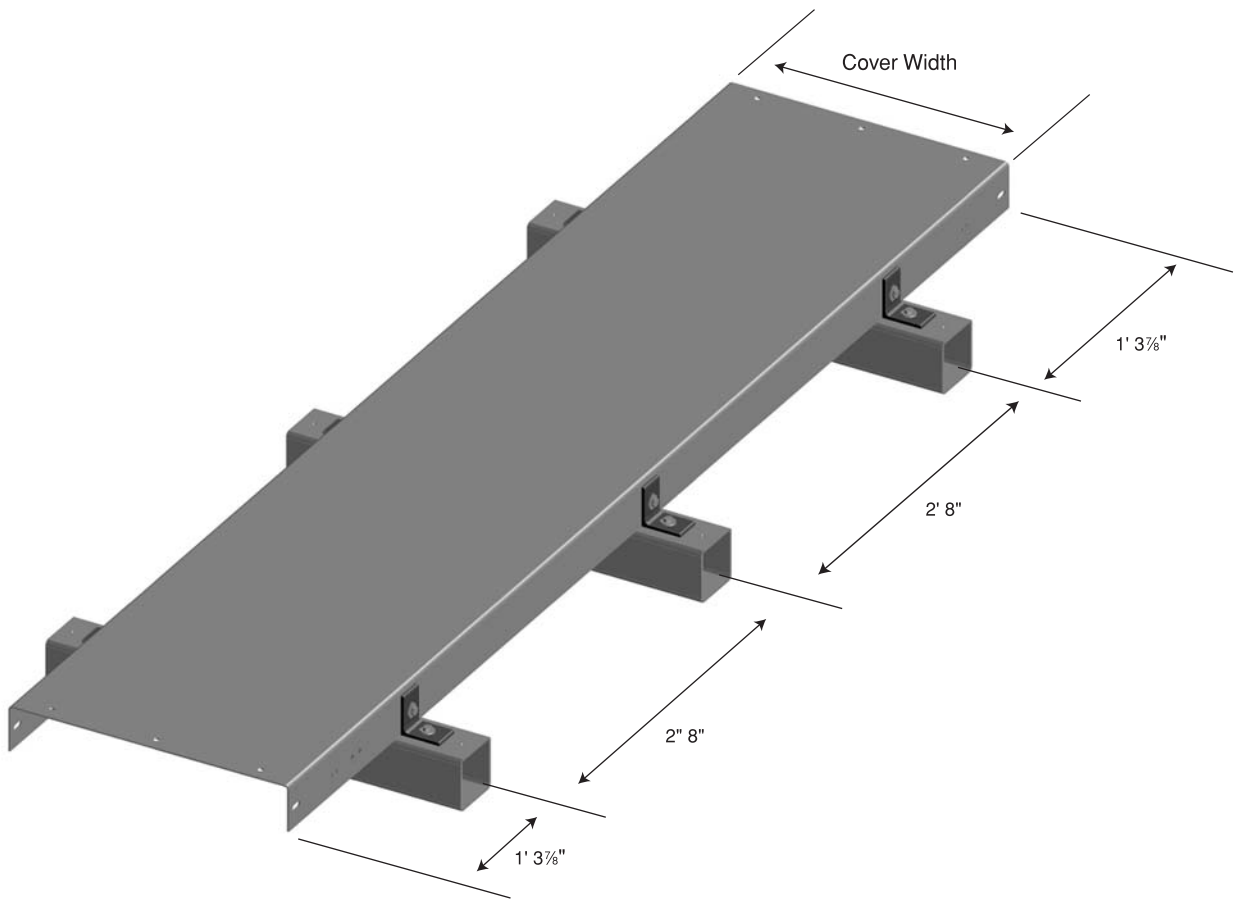
COAX BRIDGE KIT

FOR ROOF INSTALLATION

Each Coax Bridge Kit provides rooftop support for coax transmission lines on three PVC sleepers and protects coax sizes from 1/2" through 1 5/8" from damage with an 8' long steel cover. The coax transmission lines are secured to the 4" square, UV-resistant sleepers with Snap-In Hangers (page 4.4). An optional Sleeper Alignment Guide (page 3.4) assures correct alignment with the cover mounting holes.

The formed steel covers are secured to the Sleepers with included hardware. The covers of successive Coax Bridge Kits interconnect in-line with Straight Splices or at an angle with Adjustable 0°– 45° or 20°– 90 ° Splices.

Galvanized.



Bridge Kit	List Price	Coax Lines Supported	Width	Straight Splice	List Price	0°–45° Splice	List Price	20°–90° Splice	List Price	T-Splice	List Price
B1542-11	\$115.00	Four	11 1/2"	B1544-11	\$10.00	B1573	\$13.00	B1963	\$145.00	B2493	\$165.00
B1543	\$165.00	Eight	1'-9 1/2"	B1545	\$12.00	B1574	\$24.00	B1964	\$230.00	B2493	\$165.00
B1595 ¹	\$250.00	Twelve	2'-9"	B1596	\$17.00	B1597	\$73.00	B2112	\$220.00	—	—
B3098 ²	\$300.00	Sixteen	1'-9 1/2"	Included	—	B1574	\$24.00	B1964	\$230.00	—	—
B2915 ²	\$320.00	Twenty	2'-2 1/2"	Included	—	B1946	\$73.00	—	—	—	—

¹ Consists of B1542-11 & B1543

² Double Stacked

TRANSMISSION LINE SUPPORT SYSTEMS

ROOFTOP BRIDGE KITS

3.2

EXTENSION KIT

FOR ROOFTOP COAX BRIDGE

The Extension Kit is used at the end of a 4-run or 8-run rooftop Coax Bridge to provide a covered transition to the wall support of the coax. The cover mounts at 45° to accommodate the bending radius of the coax transmission line.



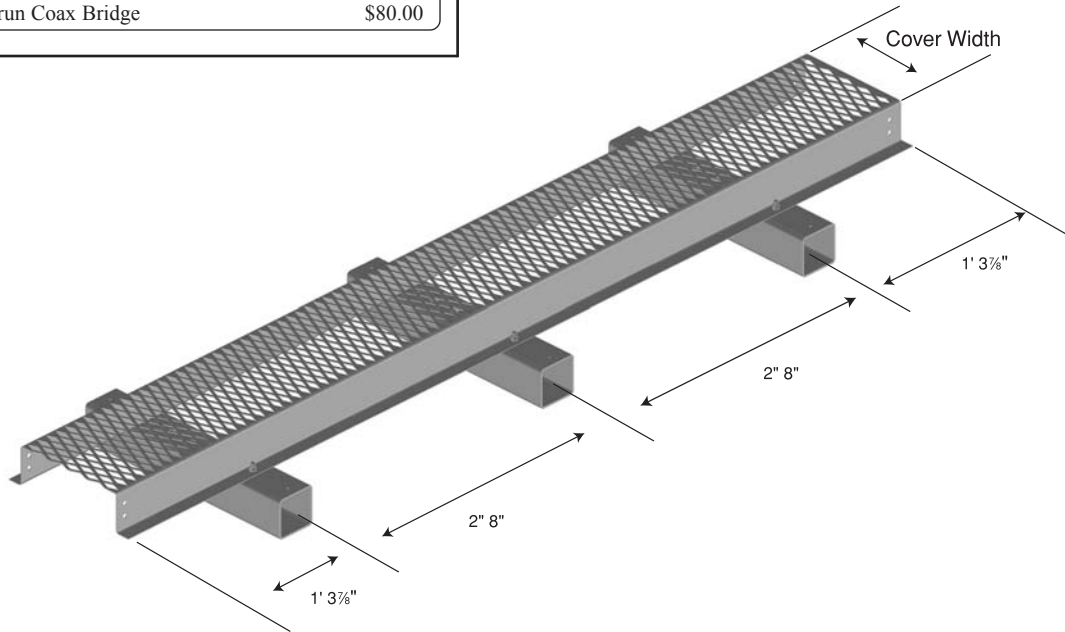
Product Number	Description	List Price
B1703	For 4-run Coax Bridge	\$60.00
B1704	For 8-run Coax Bridge	\$80.00

COAX GRATING BRIDGE KIT

FOR ROOF INSTALLATION

Three series of Coax Grating Bridge Kits provide rooftop support for four, seven or ten transmission lines, sizes 1/2" through 1 5/8". Each 8' long grating steel cover is secured to three, 4" square, UV-resistant PVC Sleepers with included hardware. An optional Sleeper Alignment Guide (page 3.4) positions Sleepers to ensure correct alignment with the cover's mounting holes. The coax transmission lines are secured to Sleepers with Snap-In Hangers (page 4.4). Covers of successive Coax Bridge Kits interconnect with either Straight or Adjustable Splices.

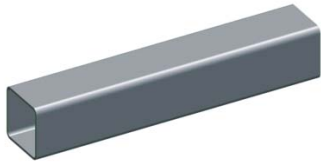
Galvanized.



Bridge Kit	Sleeper Length	Coax Lines Supported	Width	List Price	Straight Splice	List Price	0°-45° Splice	List Price
B1932	1'-11 3/4"	Four	1'-1 1/4"	\$200.00	B1943	\$16.00	B1944	\$13.00
B1933	2'-6 3/4"	Seven	1'-8 1/4"	\$250.00	B1943	\$16.00	B1945	\$24.00
B1934	3'-3"	Ten	2'-4 1/2"	\$300.00	B1943	\$16.00	B1946	\$73.00

PLAIN PVC TUBE

Plain PVC Tube may be customized to meet the requirements of a special application. This is the same material used to produce the Sleepers, provided separately (this page) or with Coax Bridge Kits (page 3.1). The Plain PVC Tube is gray, 4" x 4" UV-resistant material, furnished without holes in 8' lengths.



Product Number	Description	List Price
B1585	8' Plain PVC Tube	\$20.00

CABLE TRAY KIT

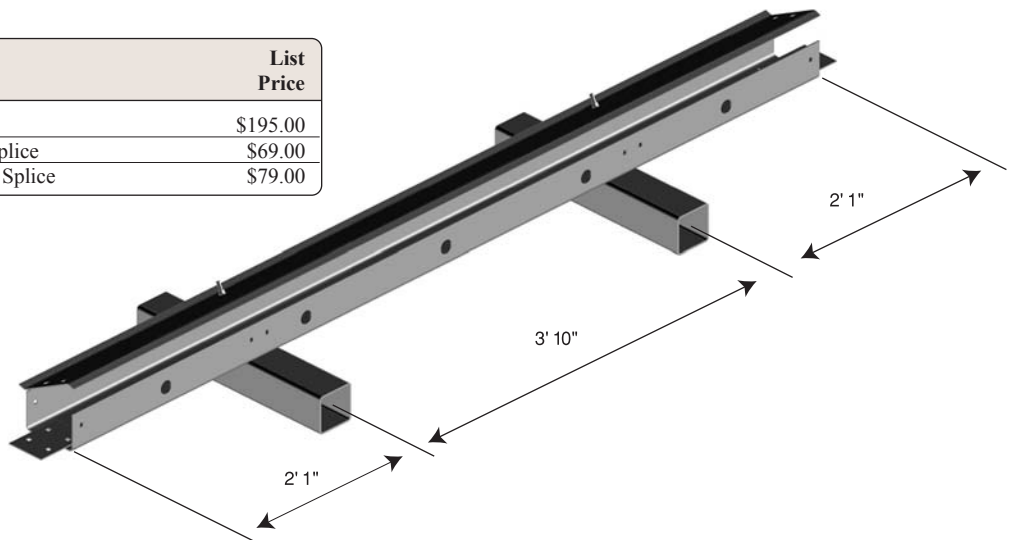
FOR ROOF INSTALLATION

Cable Tray Kits are designed to provide rooftop support and protection for eighty runs of RG-6 transmission line. The Cable Tray is secured to UV-resistant PVC sleepers with included hardware and has five 1 3/8" diameter holes with rubber plugs along one side for cable entry.

Successive Cable Trays may be interconnected in-line with the included straight splice or at an angle with Adjustable 0°-45° or 45°-90° Splice. The Tray, Cover, and Splices are made of 11-gauge steel.

Galvanized.

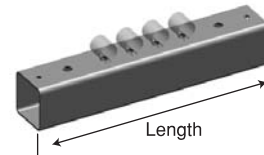
Product Number	Description	List Price
B1875	Cable Tray Kit	\$195.00
B1876	Adjustable 0°-45° Splice	\$69.00
B2100	Adjustable 45°-90° Splice	\$79.00



SLEEPER

FOR COAX SUPPORT

Sleepers, included with Coax Bridge Kits, are available separately to support rooftop coax runs when the protection of a steel cover is not required. All Sleepers are furnished with 3/4" diameter holes to accommodate Snap-In Hangers (page 4.4). Two series of Sleepers are available to accommodate the widths of either solid or grating covers, using 7/16" mounting holes at both ends. A 1/4" diameter hole is provided on the end of each Sleeper for attaching grounding wire. Sleepers are made of a gray 4" x 4", UV-resistant PVC material.



Product Number	For Cover Type	Coax Lines Supported	Length	List Price
B1598	Solid	4	1'-10"	\$13.00
B1599	Solid	8	2'-7 7/8"	\$18.00
B1600	Solid	12	3'-7 3/8"	\$28.00
B1724	Grating	4	1'-11 3/4"	\$16.00
B1725	Grating	7	2'-6 3/4"	\$22.00
B1726	Grating	10	3'-3"	\$36.00

TRANSMISSION LINE SUPPORT SYSTEMS

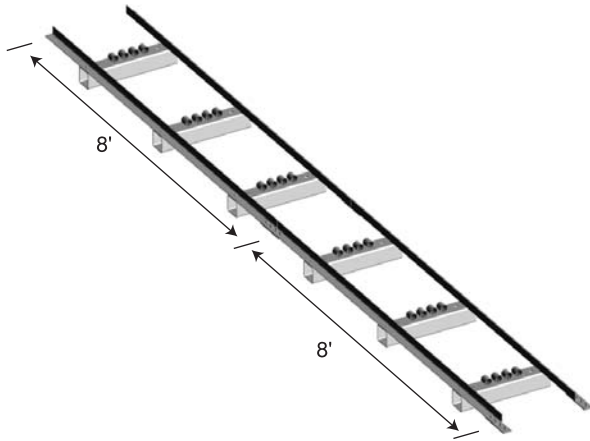
ROOFTOP BRIDGE KITS

3.4

SLEEPER ALIGNMENT GUIDE

FOR COAX BRIDGE INSTALLATION

The Sleeper Alignment Guide ensures the fast and correct installation of Coax Bridge Kits. At least one Sleeper Alignment Guide should be available to each crew installing rooftop Coax Bridge Kits. The Guide prevents sleeper movement while the coax is being secured with Snap-In Hangers, thus ensuring correct alignment with the mounting holes in the formed-steel cover.

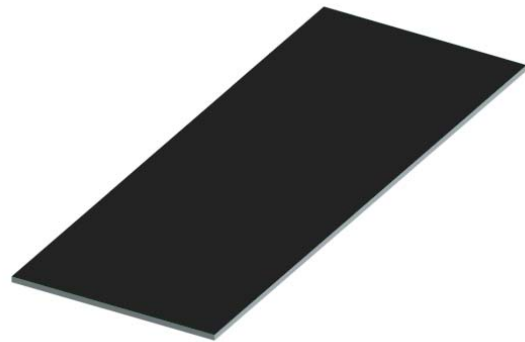


Product Number	Description	List Price
B1571	16' long Sleeper Alignment Guide	\$110.00

RUBBER MAT

The Rubber Mat provides protection from sharp objects on the surface of a roof and is furnished as a single piece $\frac{1}{2}$ " thick x 1'-6" wide x 4' long. The Mat can be cut to size or used in multiples, as required.

Also available are Rubber Mat Kits providing roof protection under the ballast trays of Non-Penetrating Tripods (section 13) or Non-Penetrating Frames (section 14). Rubber Mats can also be used as a non-slip walking surface.



Product Number	Description	List Price
B1637	$\frac{1}{2}$ " thick x 1'-6" wide x 4' long	\$11.40